



MEDICAL TRANSFORMERS

The transformers used in hospitals and medical clinics are supplying extremely sensitive medical equipment. Therefore these transformers are designed and built to meet the specifications for these places. The IEC 61558-2-15 standard describes the additional specifications.

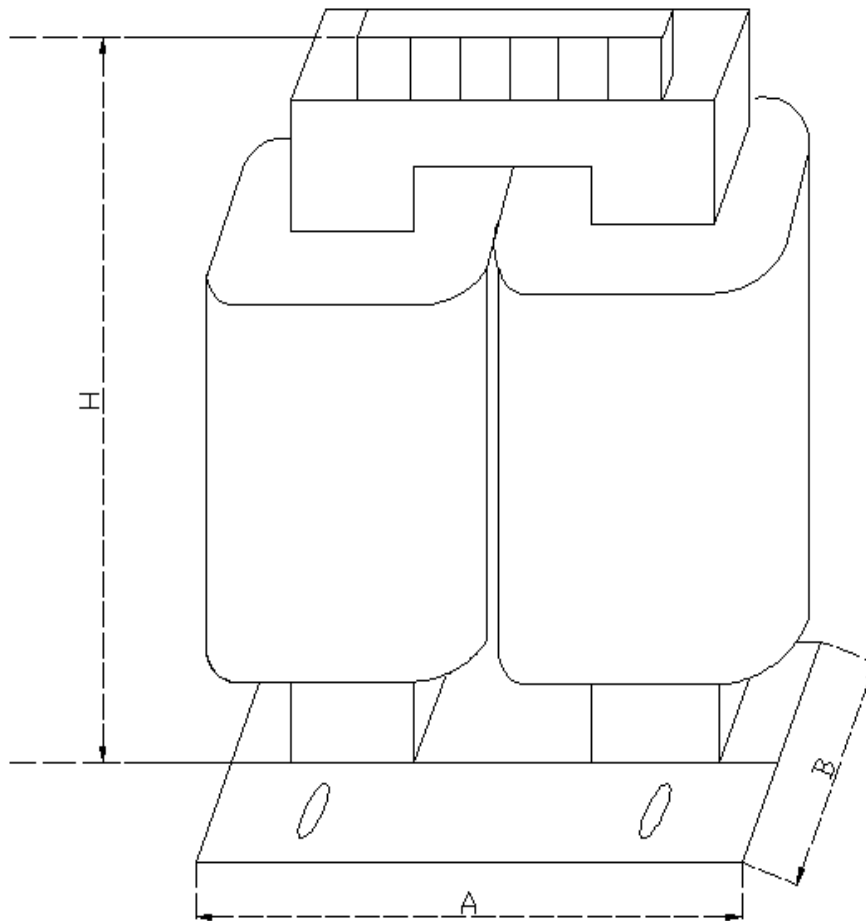
ELEKTRA transformers are compatible with international standards and CE signed. Also the transformers are produced under ISO9000 quality management system.



ELEKTRA Medical Transformer Specifications

- Much lower inrush current. ($I_r < 8 \times I_n$)
- Much better voltage regulation. ($U_k < 3\% U_n$)
- Much lower no-load current. ($I_o < 3\% I_n$)
- Near-zero leakage current ($< 200 \mu A$)
- A specific center tap to provide means to watch isolation level
- Mounted PTC to monitor the temperature levels of the transformers.
- Varnished under vacuum to obtain silent duty with high moisture resistance
- Manufactured under ISO 9001 quality management system

These transformers can be produced according to the customers voltage requests. Different voltage ratings for different regions are usable.



MODEL	Power (kVA)	No-Load Losses (VA)	Load Losses (VA)	Voltage Drop (%)	Short Circuit Voltage(%)	Efficiency (%)	A (mm)	B (mm)	H (mm)	Weight (kg)
EMT 3150	3.15	47	136	≤ 3.0	≤ 3.0	94.7	250	195	365	40
EMT 4000	4	59	159	≤ 3.0	≤ 3.0	95.2	280	200	415	48
EMT 6000	6	88	240	≤ 3.0	≤ 3.0	95.3	280	215	415	56
EMT 8000	8	106	260	≤ 3.0	≤ 3.0	95.5	320	230	465	72
EMT 10000	10	136	348	≤ 3.0	≤ 3.0	95.6	320	250	465	87