



## CONTROL TRANSFORMERS

Control transformers are widely used in industrial applications such as electrical panels or PLC power supplies.

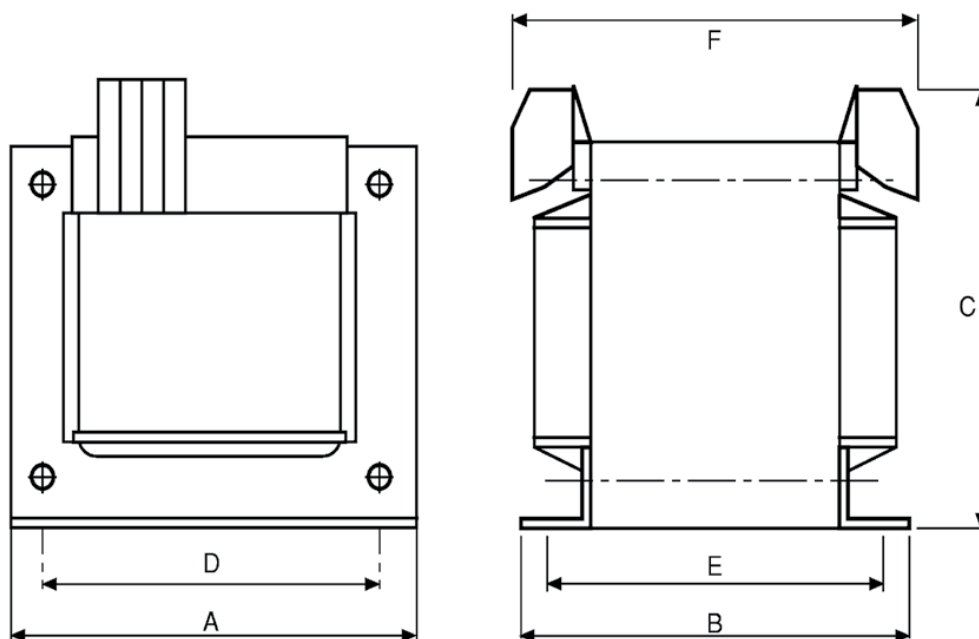
Input and output voltages may vary up to 1000V and they possibly include voltage taps or shielding windings. Power ratings of these transformers go up to 10kVA. The electrical connection is done via terminal blocks and special mounting for DIN rails is available on request



ELEKTRA transformers are compatible with international standards and CE signed. Also the transformers are produced under ISO9000 quality management system.

### ELEKTRA Control Transformers Specifications

- High permeable iron core
- High quality copper or aluminium windings
- Class I transformer
- Excellent voltage regulation
- High short time power
- Vacuum impregnated varnish to ensure silent and moisture-immune operation
- CE sign and compatibility with EN 61558 2-2
- Manufactured under ISO 9000 quality management



MODEL	Power (VA)	Instantaneous Power (VA)	Core	A (mm)	B (mm)	C (mm)	D (mm)	E (mm)	F (mm)	Weight (kg)
ETC-0025	25	55	66/25	66	77	81	50	65	60.5	1.2
ETC-0040	40	90	66/35	66	77	81	50	65	70.5	1.4
ETC-0050	50	120	84/29.5	84	76	91	64	64	65	1.5
ETC-0075	75	160	84/29.5	84	76	91	64	64	65	1.7
ETC-0100	100	225	84/43.5	84	76	91	64	64	79	2
ETC-0160	160	400	96/45.7	96	89	99	84	74	75	2.5
ETC-0200	200	487	96/45.7	96	89	99	84	74	75	3
ETC-0250	250	620	96/59.7	96	102	99	84	87	89	3.5
ETC-0320	320	750	120/41.7	120	90	127	90	83	85	4.5
ETC-0400	400	1010	120/53.7	120	102	127	90	95	97	5.5
ETC-0500	500	1350	120/73.7	120	122	117	90	109	111	7
ETC-0630	630	1740	150/49.6	150	113	141	122	89	90	8
ETC-0800	800	2250	150/66.6	150	129	141	122	104	105	10
ETC-1000	1000	3150	150/92.6	150	153	141	122	128	130	14
ETC-1300	1300	3820	192/70	192	144	200	130	126	128	22
ETC-1600	1600	5050	192/82	192	166	200	130	148	150	24
ETC-2000	2000	6400	192/105	192	178	200	130	160	162	26
ETC-2500	2500	7980	192/120	192	193	200	130	175	176	29

\* Dimension values may change depending on design