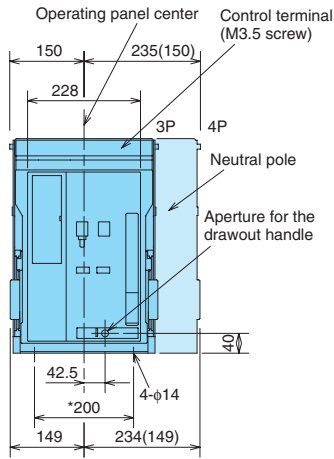


Outline dimensions

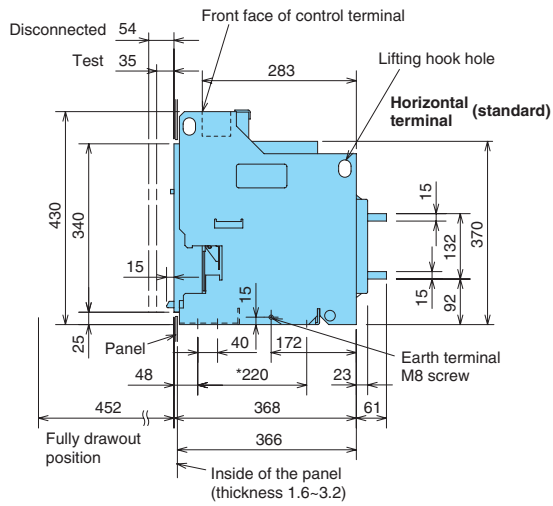
Drawout type AE630-SW, AE1000-SW, AE1250-SW, AE1600-SW

(mm)

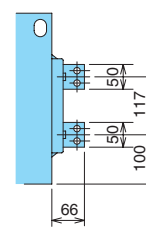
Front view



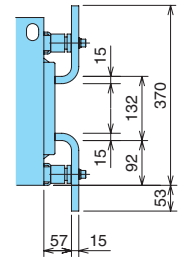
Side view



Vertical terminal



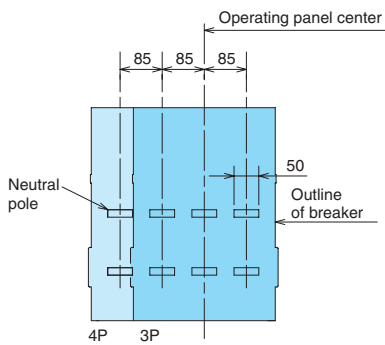
Front terminal



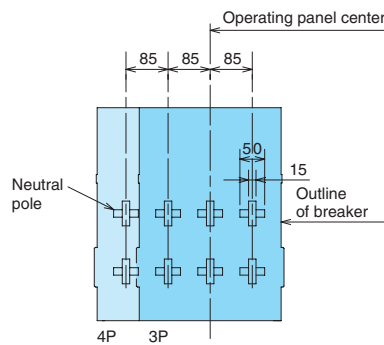
*: Mounting pitch
The numerals shown in parentheses are for 3 poles.

Rear view

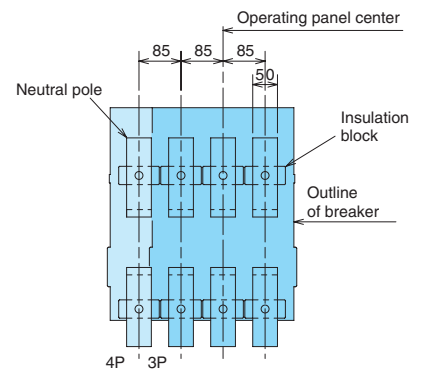
Horizontal terminal



Vertical terminal

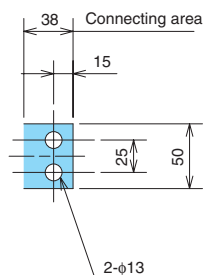


Front terminal



Main circuit terminal dimension

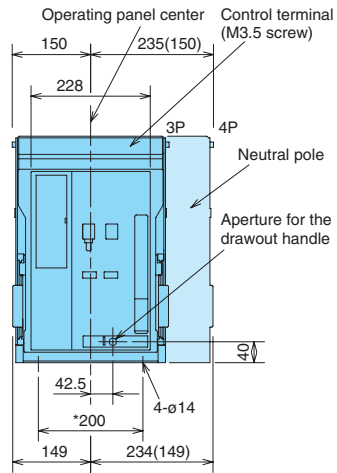
Horizontal terminal(standard) Vertical terminal Front terminal



Drawout type AE2000-SWA

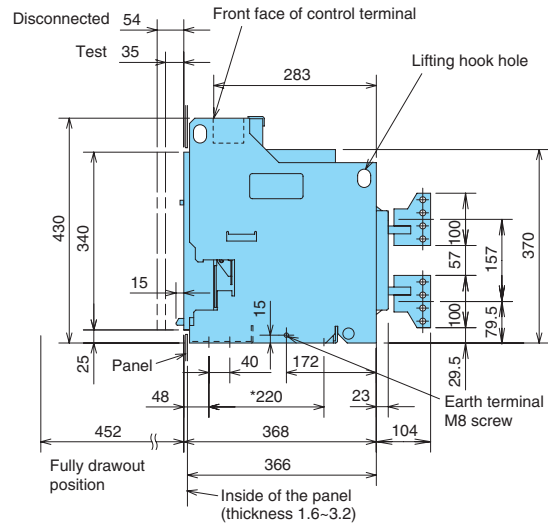
(mm)

Front view

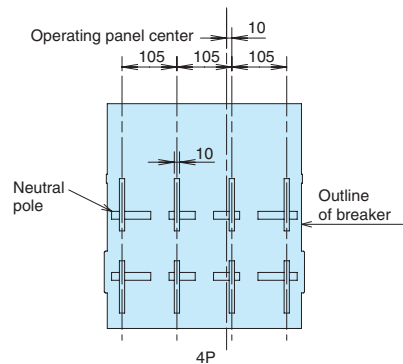
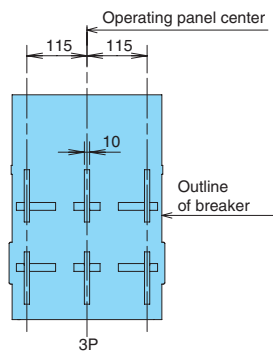


* : Mounting pitch
The numerals shown in parentheses are for 3 poles.

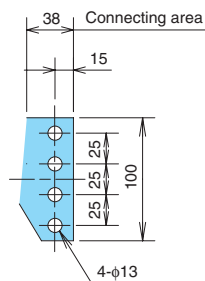
Side view



Rear view



Main circuit terminal dimension

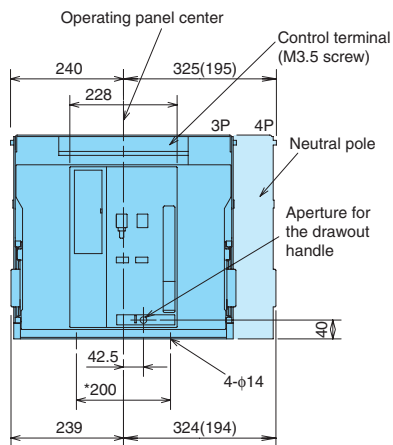


Outline dimensions

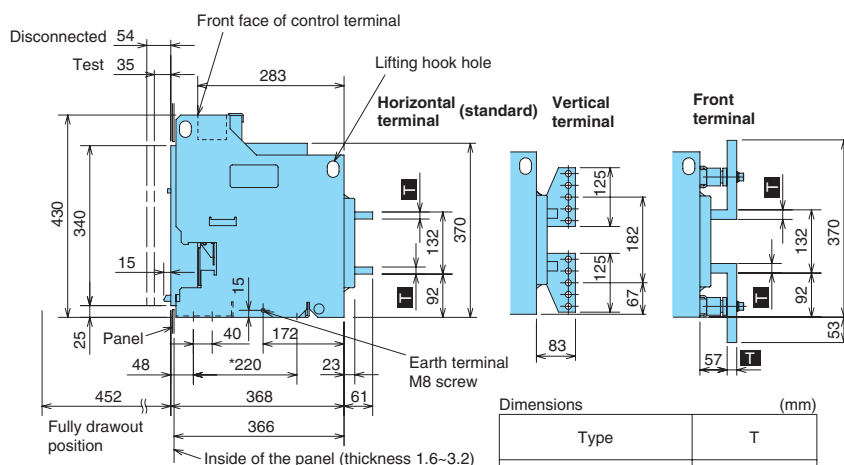
Drawout type AE2000-SW, AE2500-SW, AE3200-SW

(mm)

Front view

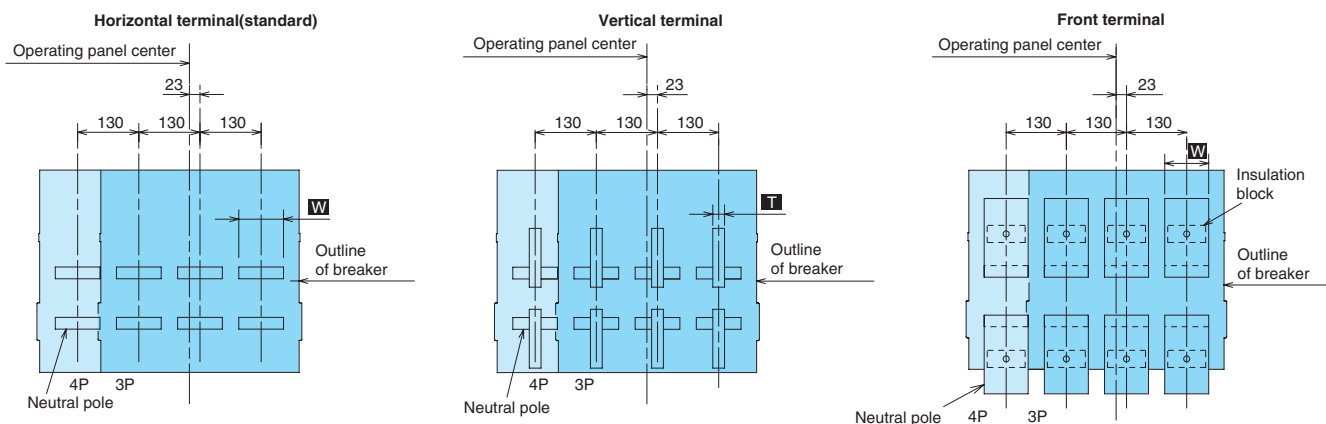


Side view

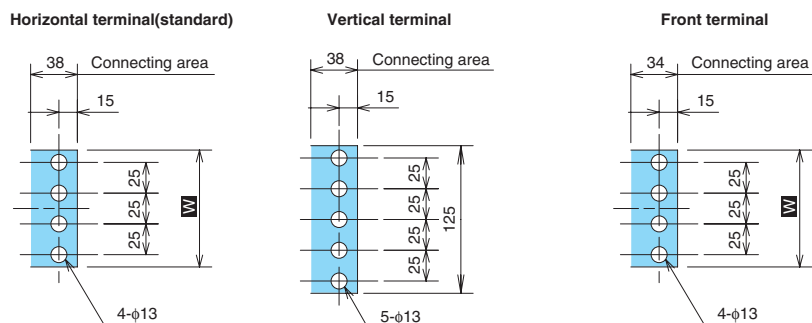


* : Mounting pitch
The numerals shown in parentheses are for 3 poles.

Rear view



Main circuit terminal dimensions

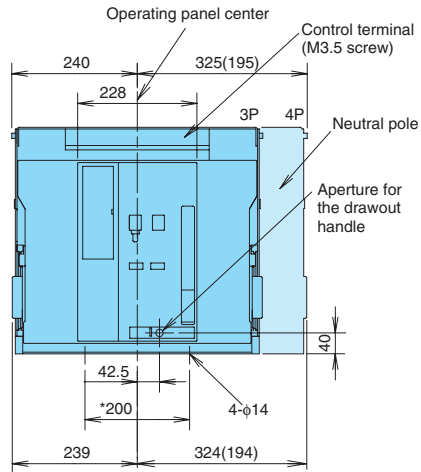


| Dimensions (mm) | |
|---------------------|-----|
| Type | W |
| AE2000-SW AE2500-SW | 95 |
| AE3200-SW | 103 |

Drawout type AE4000-SWA

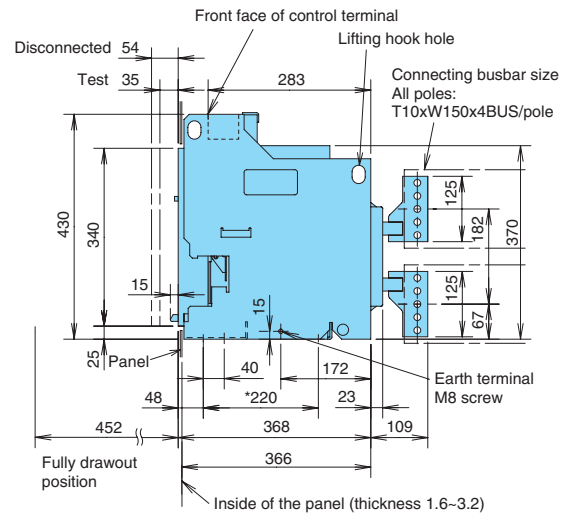
(mm)

Front view

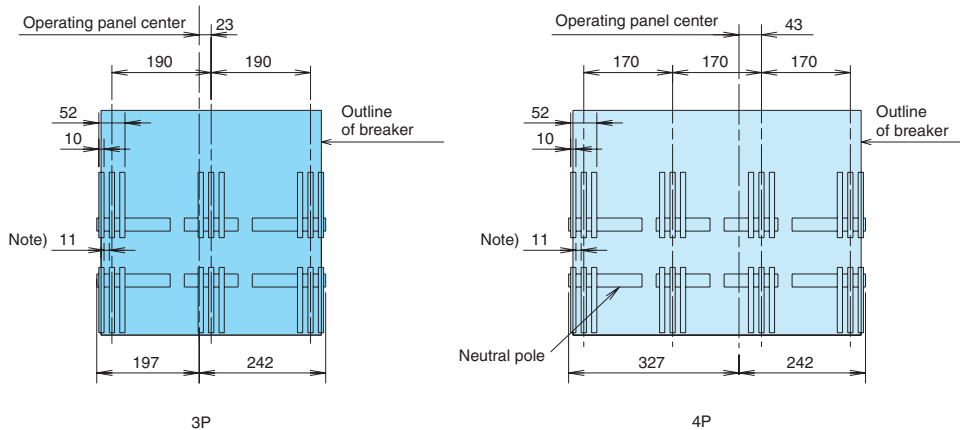


* : Mounting pitch
The numerals shown in parentheses are for 3 poles.

Side view

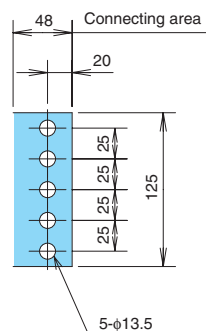


Rear view



Note) Spacers are not required when fastening connecting conductors (T10). The necessary contact area can be obtained with ACB terminal bent by tightening the screw.

Main circuit terminal dimension

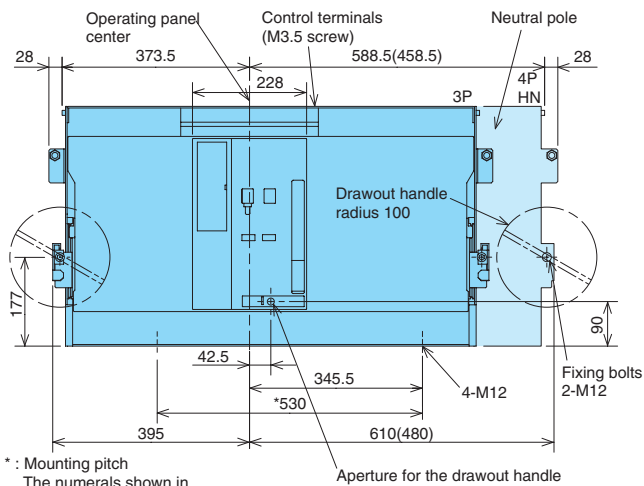


Outline dimensions

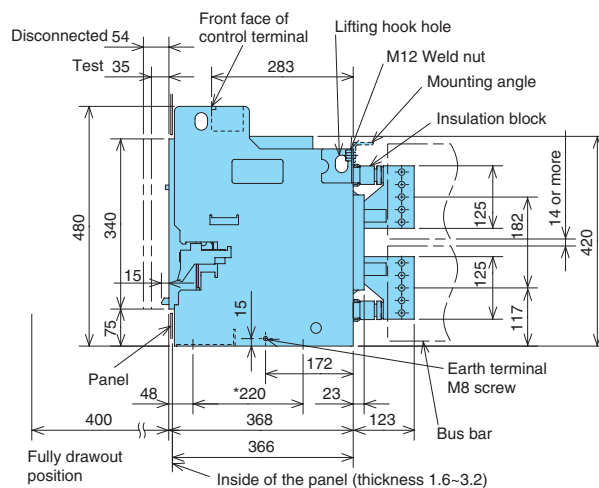
Drawout type AE4000-SW, AE5000-SW, AE6300-SW

(mm)

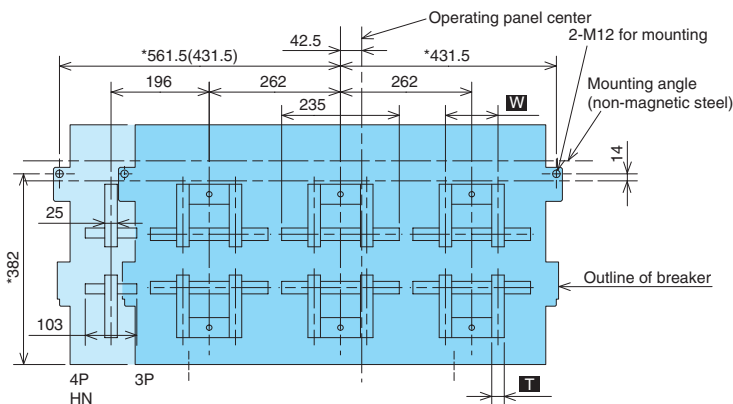
Front view



Side view

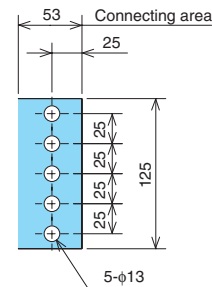


Rear view



The mounting angle should be prepared by the customer.

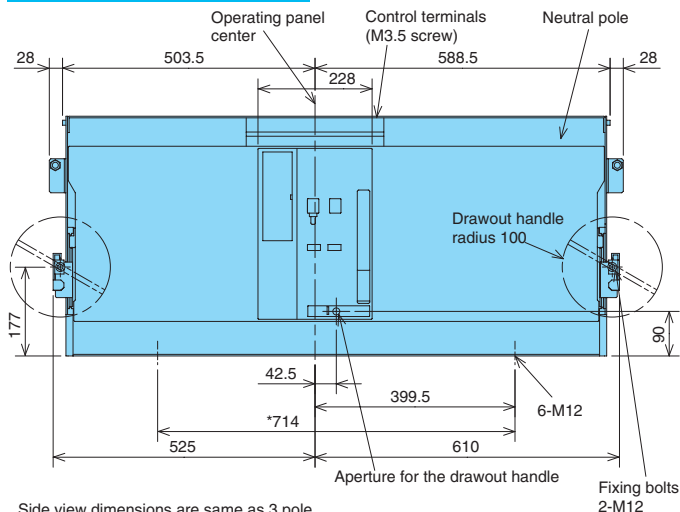
Main circuit terminal dimension



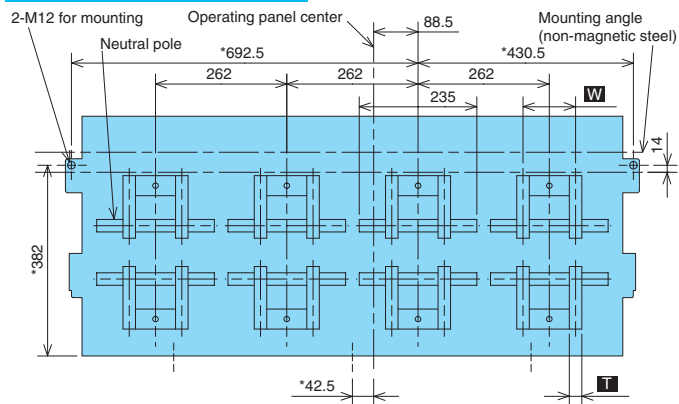
| Dimensions | | (mm) | |
|---------------------|-----|------|--|
| Type | W | T | |
| AE4000-SW AE5000-SW | 100 | 20 | |
| AE6300-SW | 105 | 25 | |

4P FN type

Front view



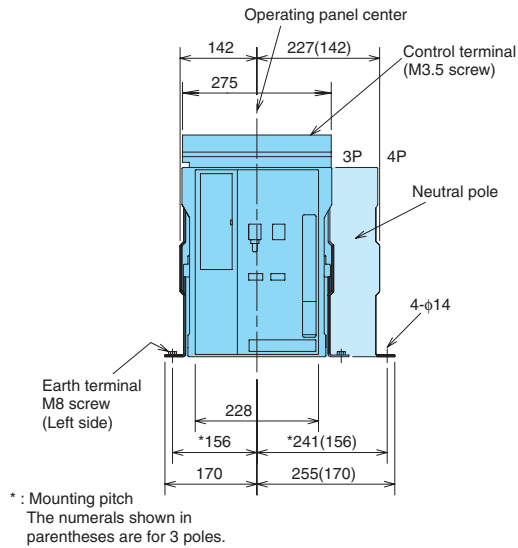
Rear view



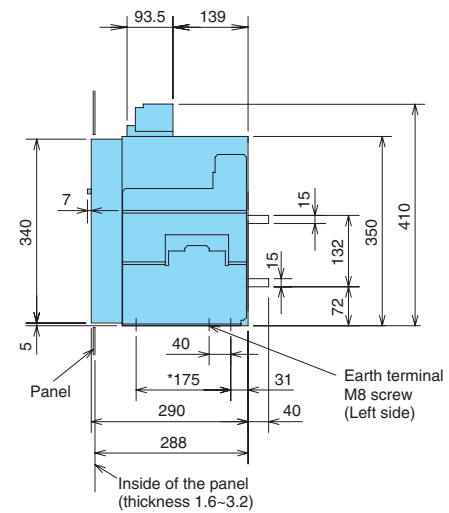
Fixed type AE630-SW, AE1000-SW, AE1250-SW, AE1600-SW

(mm)

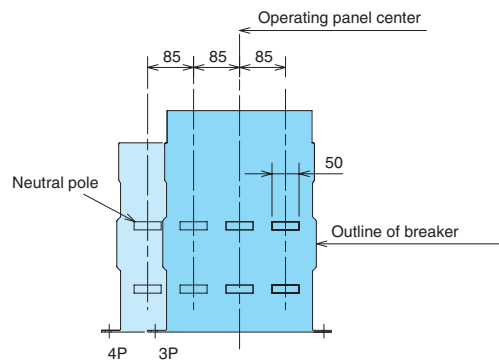
Front view



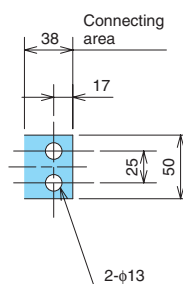
Side view



Rear view



Main circuit terminal dimension

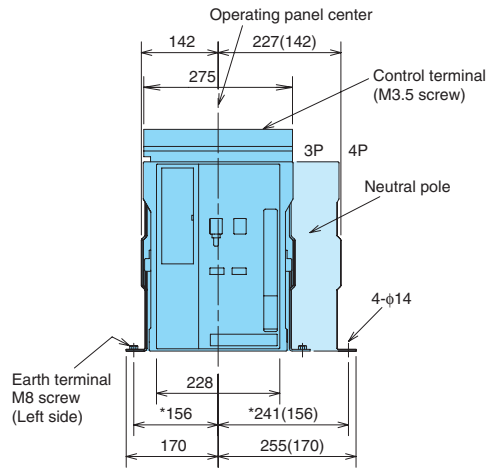


Outline dimensions

Fixed type AE2000-SWA

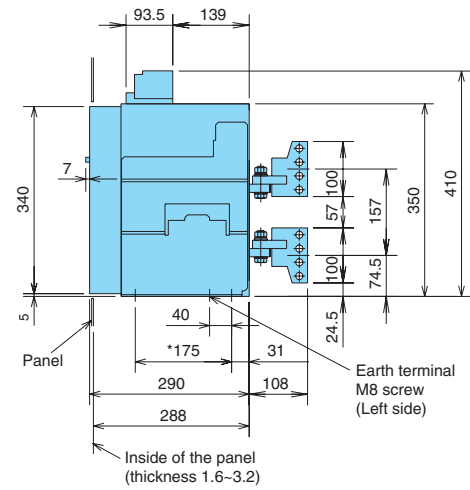
(mm)

Front view

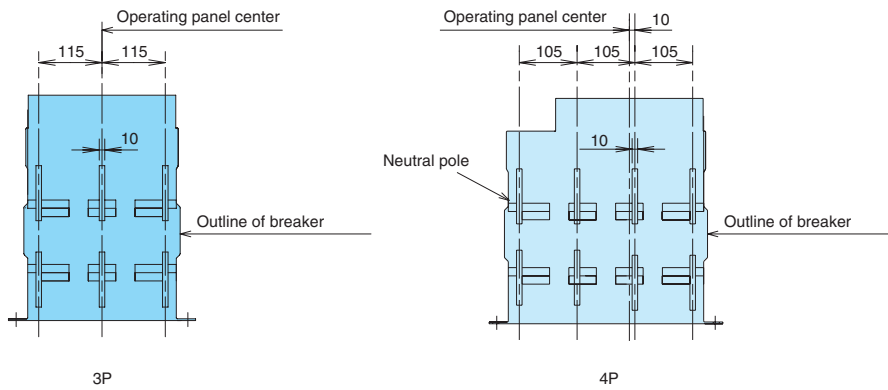


* : Mounting pitch
The numerals shown in parentheses are for 3 poles.

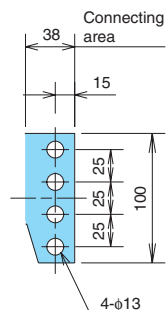
Side view



Rear view



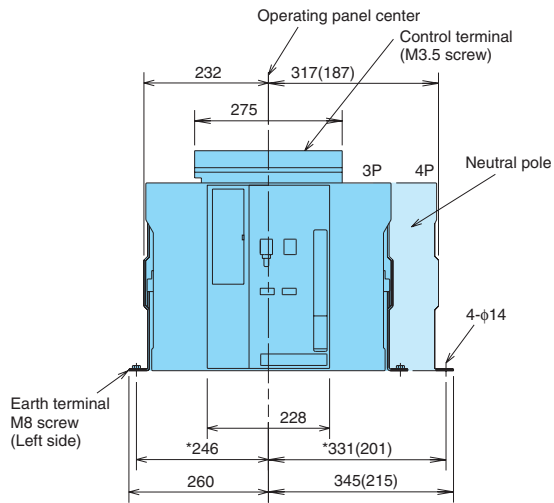
Main circuit terminal dimension



Fixed type AE2000-SW, AE2500-SW, AE3200-SW

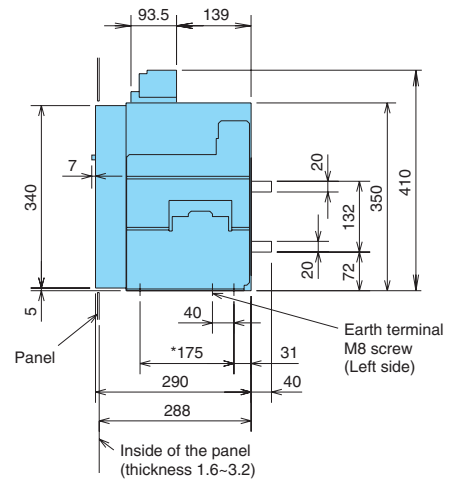
(mm)

Front view

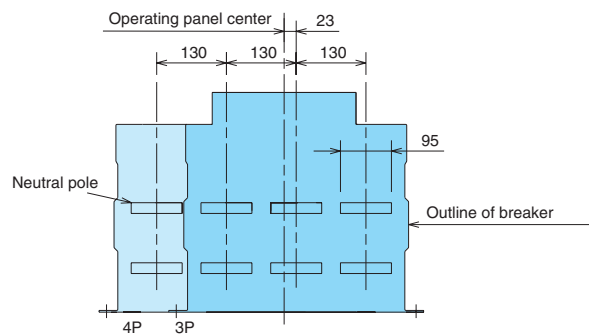


* : Mounting pitch
The numerals shown in parentheses are for 3 poles.

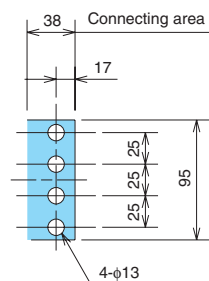
Side view



Rear view



Main circuit terminal dimension

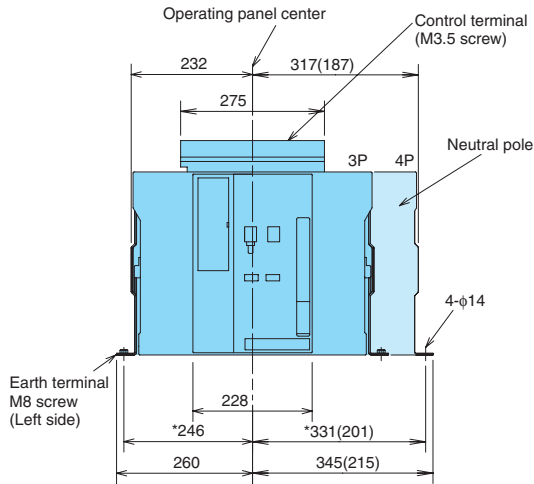


Outline dimensions

Fixed type AE400-SWA

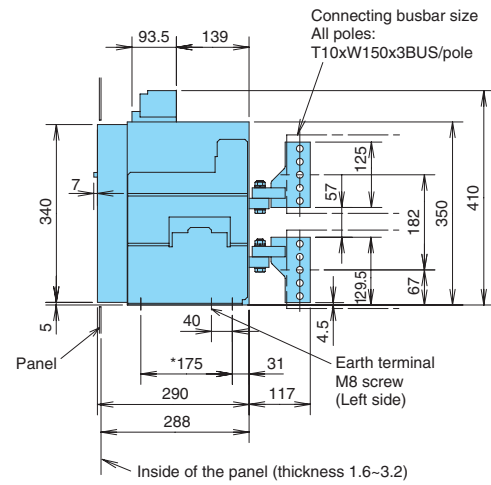
(mm)

Front view

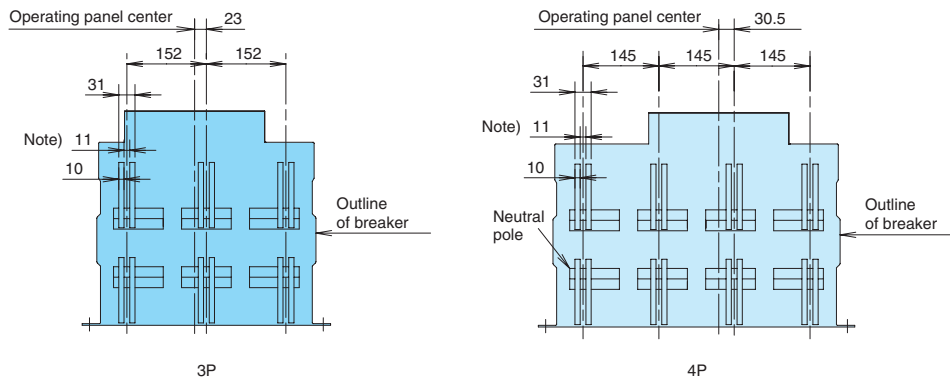


* : Mounting pitch
The numerals shown in parentheses are for 3 poles.

Side view

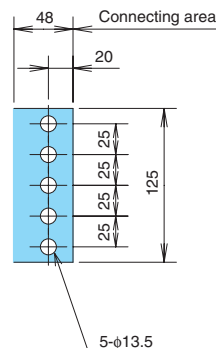


Rear view



Note) Spacers are not required when fastening connecting conductors (T10). The necessary contact area can be obtained with ACB terminal bent by tightening the screw.

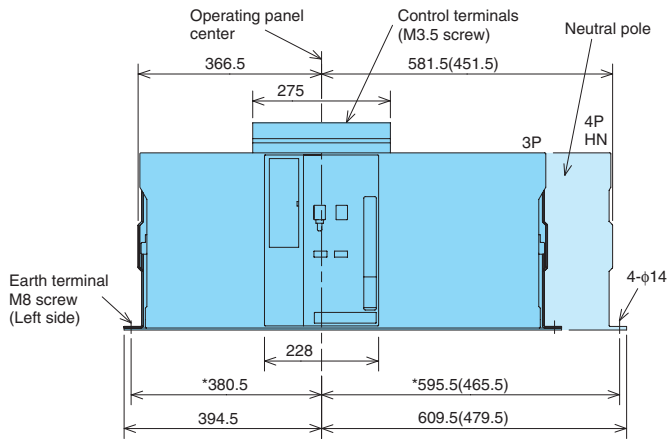
Main circuit terminal dimension



Fixed type AE400-SW, AE500-SW, AE630-SW

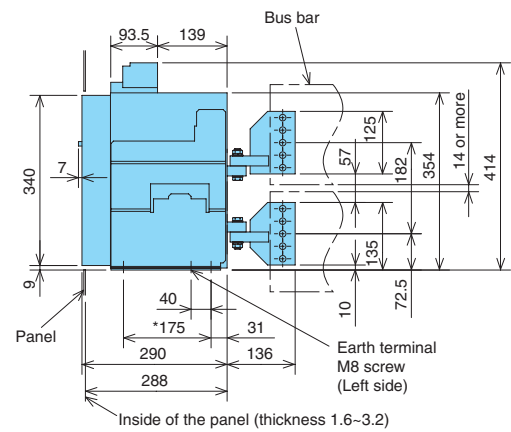
(mm)

Front view

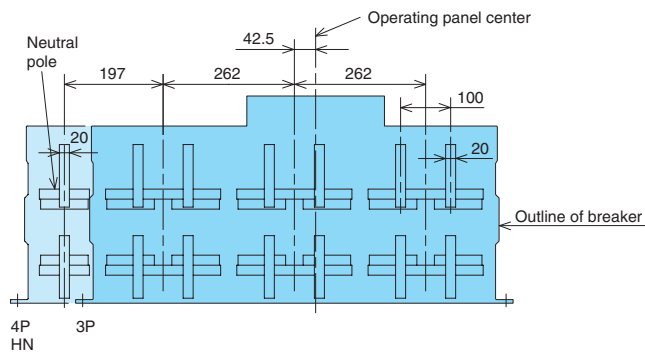


* : Mounting pitch
The numerals shown in parentheses are for 3 poles.

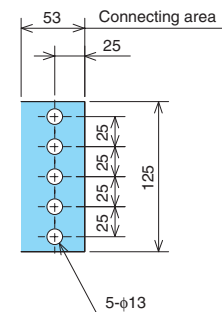
Side view



Rear view

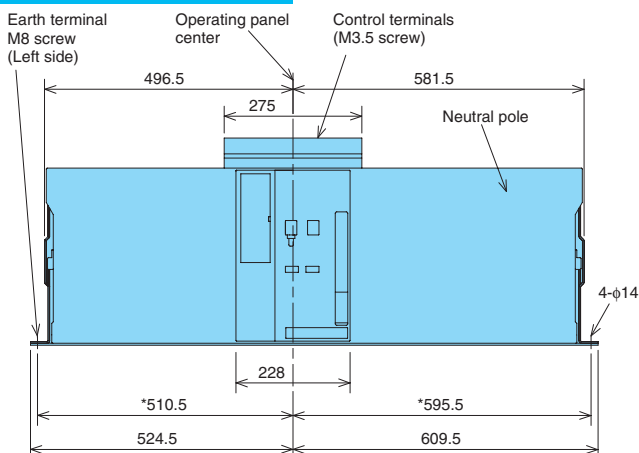


Main circuit terminal dimension

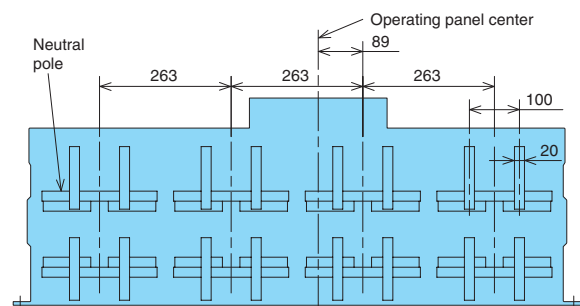


4P FN type

Front view



Rear view



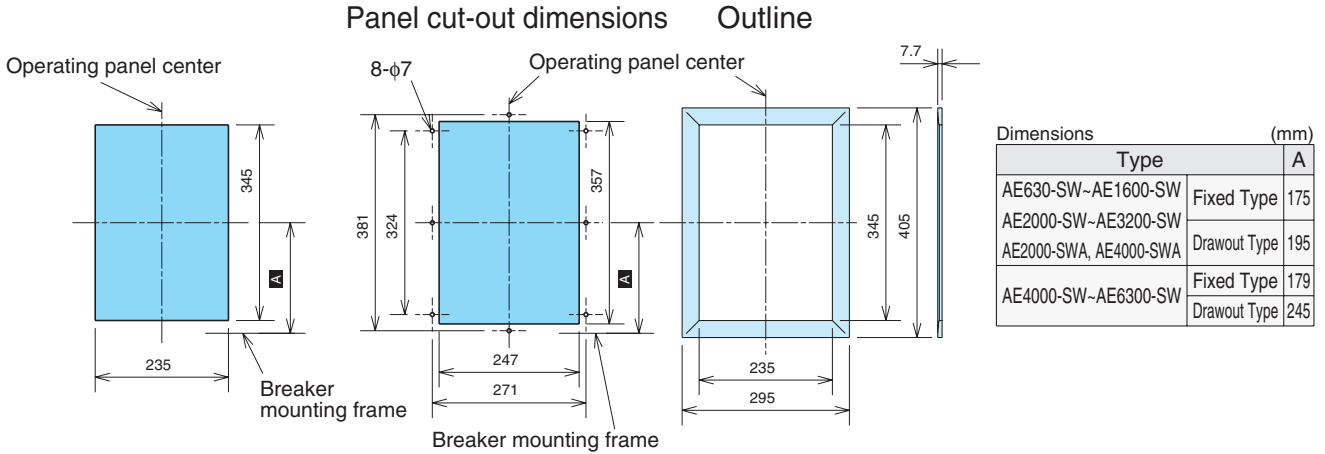
Side view dimensions are same as 3 pole.

Outline dimensions

Panel cut-out, Drawout handle, Terminal adapter

Panel cut-out dimensions

Door frame panel cut-out dimensions



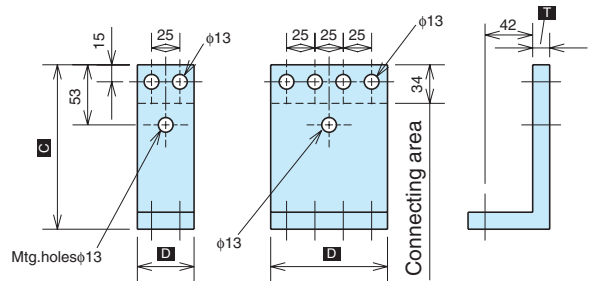
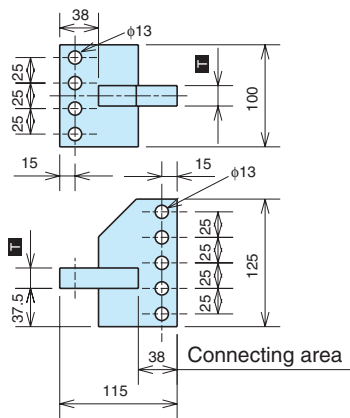
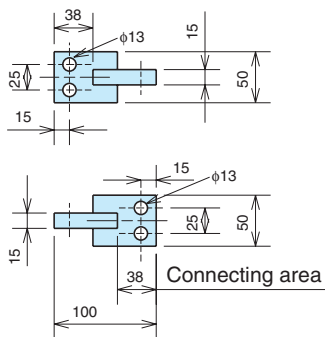
Vertical terminal adapter

Front terminal adapter

AE630~1600-SW

AE2000~3200-SW

AE630~1600-SW AE2000~3200-SW

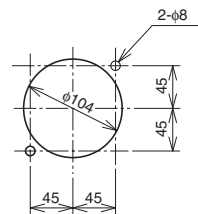
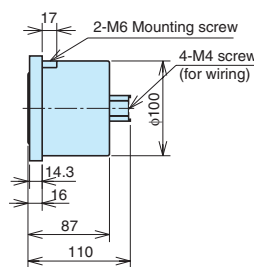
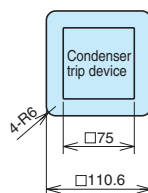
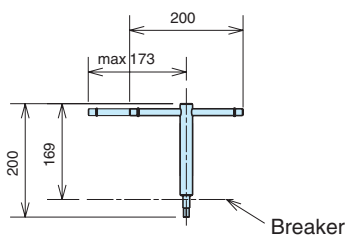


| Type | T |
|--------------------|----|
| AE2000-SW, 2500-SW | 20 |
| AE3200-SW | 25 |

| Type | | | C | D | T |
|--------------------|--------------|-----------|-------|-----|----|
| AE630-SW-1600-SW | Fixed type | Up side | 258.5 | 50 | 15 |
| | | Down side | 145 | 50 | 15 |
| | Drawout type | | 145 | 50 | 15 |
| AE2000-SW, 2500-SW | Fixed type | Up side | 258.5 | 95 | 20 |
| | | Down side | 145 | 95 | 20 |
| | Drawout type | | 145 | 95 | 20 |
| AE3200-SW | Fixed type | Up side | 258.5 | 95 | 25 |
| | | Down side | 145 | 95 | 25 |
| | Drawout type | | 145 | 103 | 25 |

Drawout handle dimensions

Condenser trip device (COT)



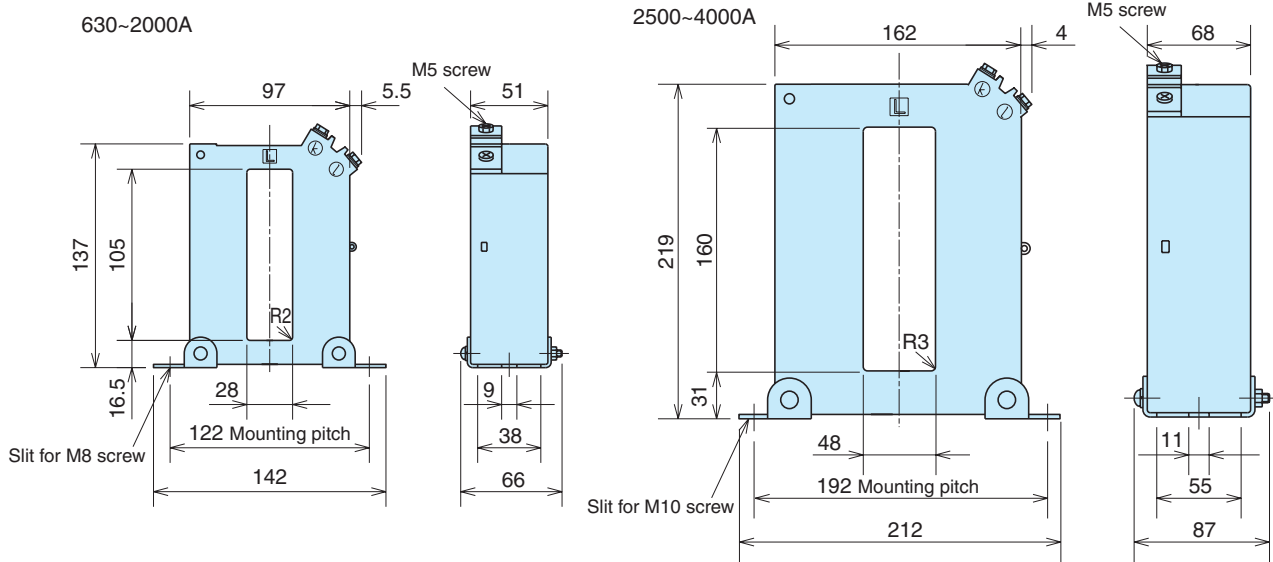
Front view

Side view

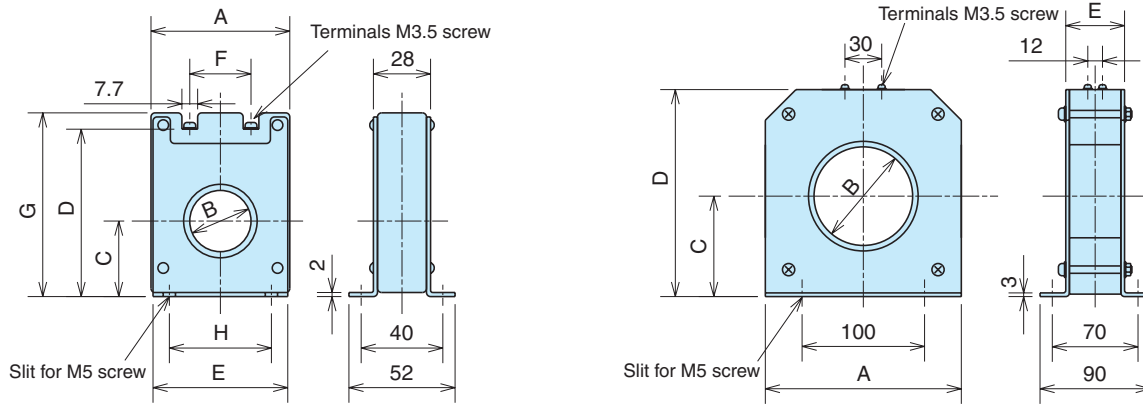
Drilling plan

Neutral CT (NCT), External ZCT

Neutral CT (NCT)



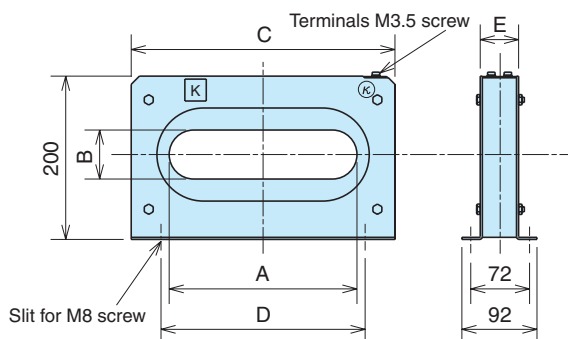
External ZCT for transformer ground wire



| Dimensions | (mm) | | | | | | | |
|------------|------|----|----|----|----|----|-----|----|
| | A | B | C | D | E | F | G | H |
| ZT15B | 48 | 15 | 29 | 62 | 46 | 15 | 70 | 25 |
| ZT30B | 68 | 30 | 37 | 82 | 66 | 30 | 90 | 50 |
| ZT40B | 85 | 40 | 43 | 92 | 81 | 40 | 100 | 50 |

| Dimensions | (mm) | | | | |
|------------|------|-----|----|-----|----|
| | A | B | C | D | E |
| ZT60B | 140 | 60 | 73 | 150 | 46 |
| ZT80B | 160 | 80 | 82 | 169 | 48 |
| ZT100B | 185 | 100 | 93 | 190 | 50 |

External ZCT for load circuits

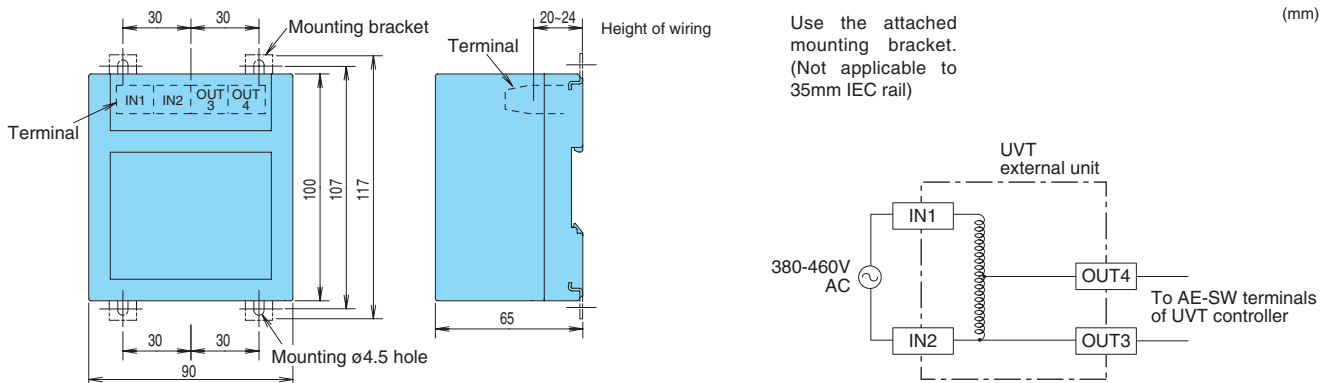


| Dimensions | (mm) | | | | |
|------------|------|-----|-----|-----|----|
| | A | B | C | D | E |
| ZCT163 | 230 | 60 | 323 | 250 | 47 |
| ZCT323 | 370 | 108 | 460 | 400 | 47 |
| ZCT324 | 500 | 108 | 600 | 550 | 48 |

Outline dimensions

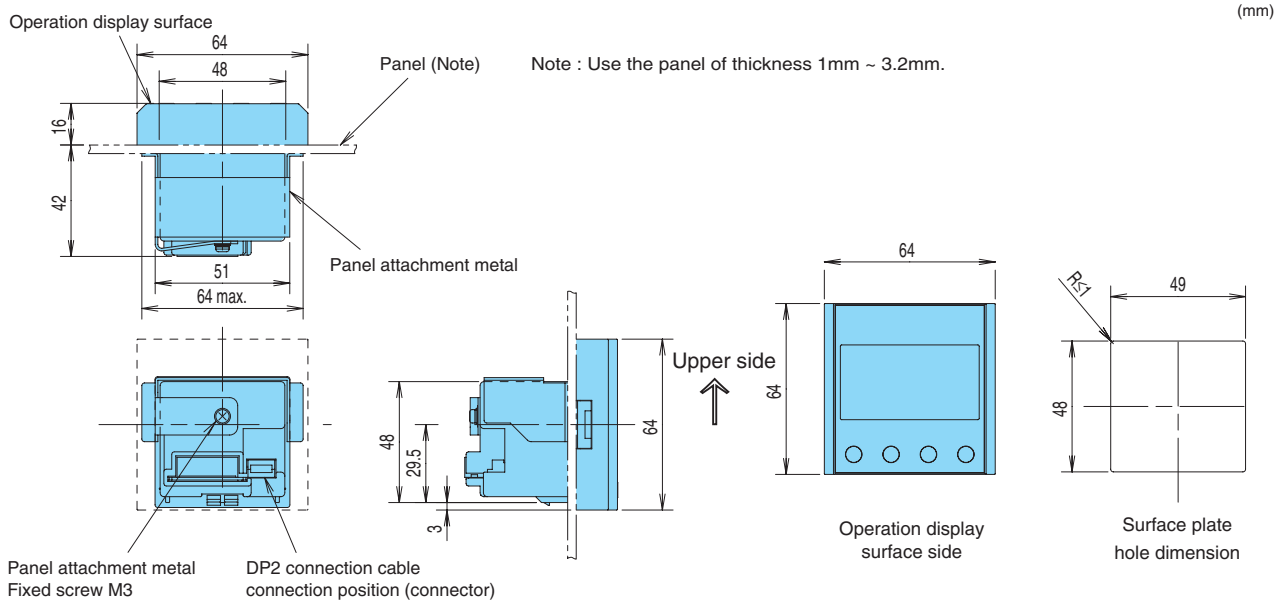
UVT external unit

UVT external unit (AC380 ~ 460V)

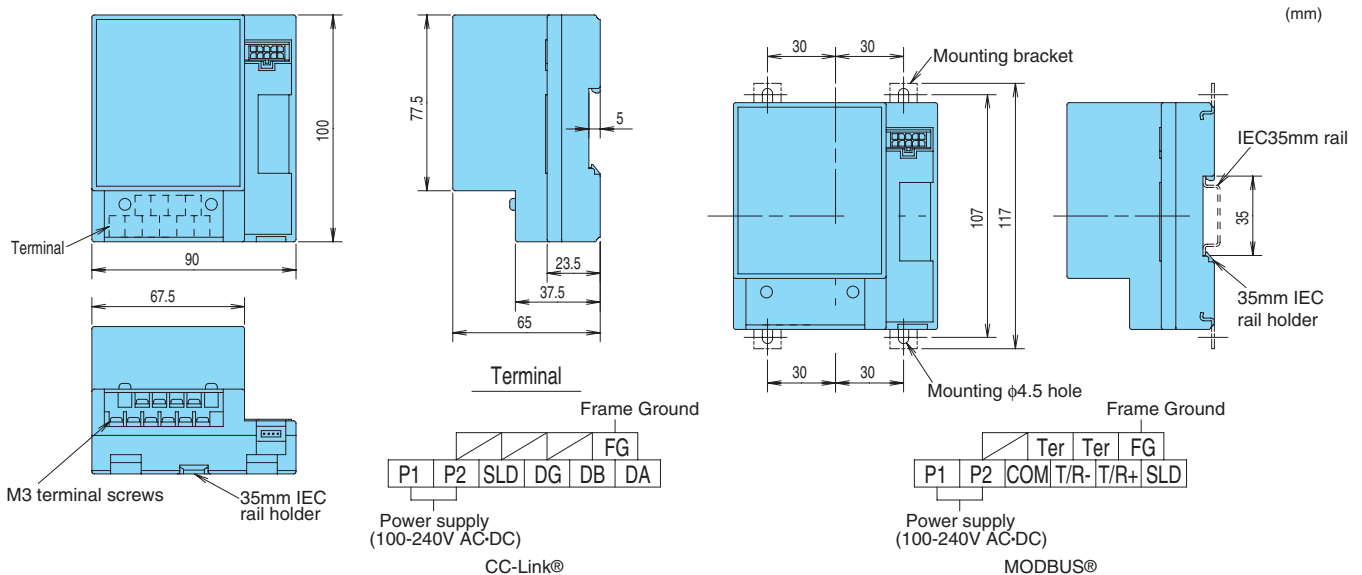


ETR external units

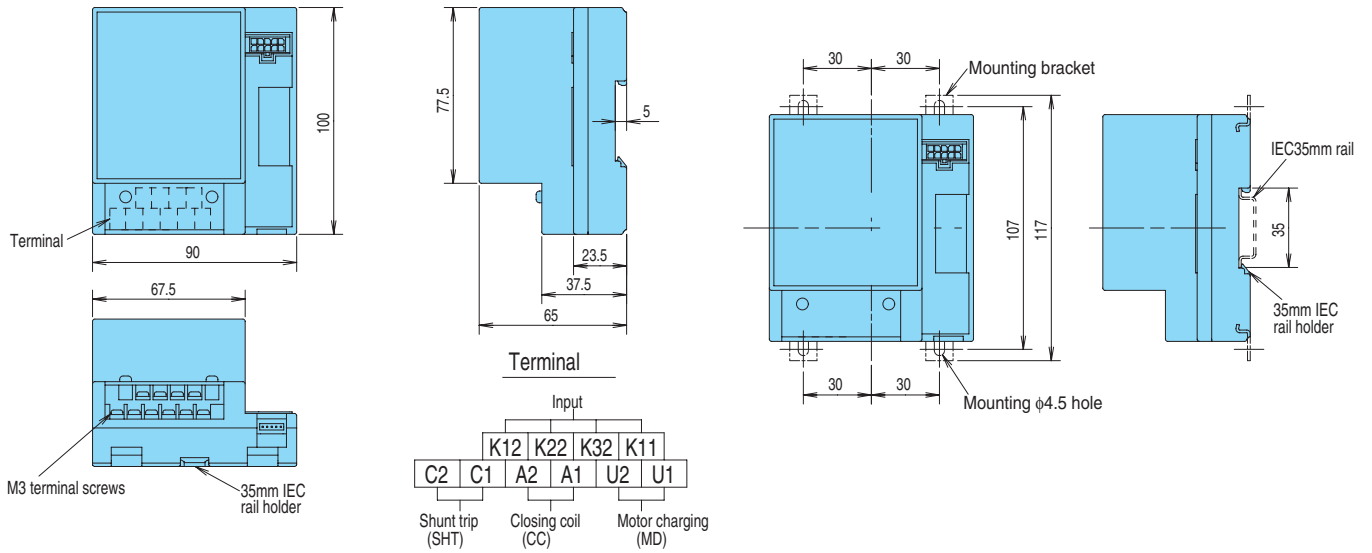
Display onto panel board (DP2)



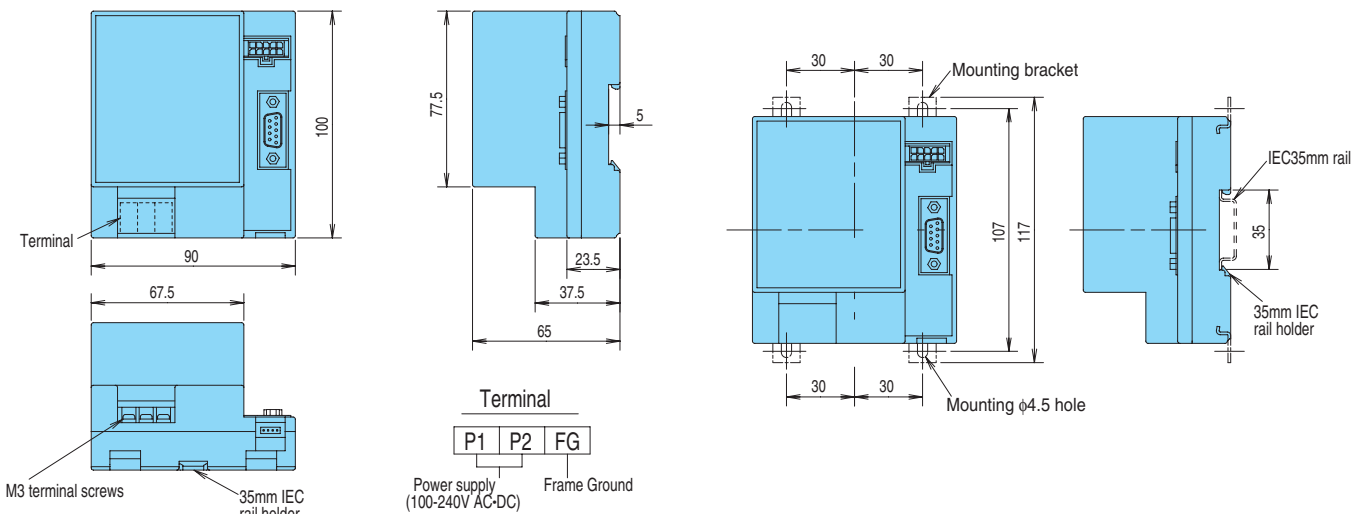
CC-Link®, MODBUS® interface unit (BIF-CC, BIF-MD)



I/O unit (BIF-CON)



PROFIBUS-DP interface unit (BIF-PR)



VT unit (VT)

