


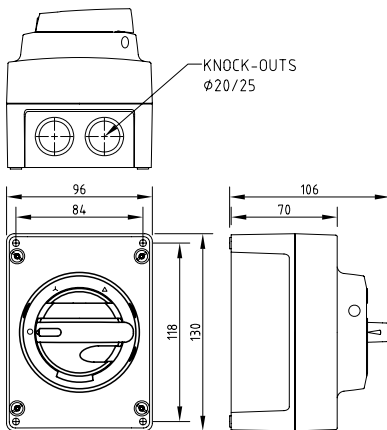


## MOTOR CONTROL SWITCHES 16-40 A

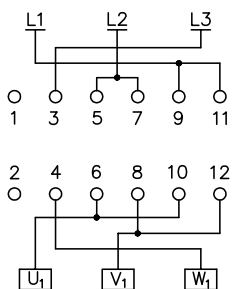
- Cam switches
- Polycarbonate enclosed, IP 66
- Rated thermal current  $I_{the}$  16-40 A
- Padlockable   
- Terminals: Cu 1,5 - 16 mm<sup>2</sup>
- Max. terminal torque: 1,8 Nm
- IEC 60 947-3



Type	400 V AC-21 415 V	400 V AC-22 415 V	400 V AC-23	400 V 415 V	EAN-Code	Enclosure	Weight kg
	$I_e$ / A	$I_e$ / A	$I_e$ / A	P / kW			
<b>Grey/black version</b>							
<b>Star-Delta</b>							
TKM 316U TK	16 A	16 A	16 A	7.5 kW	6419410344828	U2	0.5
TKM 325U TK	25 A	25 A	25 A	11 kW	6419410345023	U2	0.5
TKM 340U TK	40 A	40 A	40 A	18.5 kW	6419410345627	U2	0.5
<b>Reverse</b>							
TKM 316U SK	16 A	16 A	16 A	7.5 kW	6419410344729	U2	0.5
TKM 325U SK	25 A	25 A	25 A	11 kW	6419410345221	U2	0.5
TKM 340U SK	40 A	40 A	40 A	18.5 kW	6419410345962	U2	0.5
<b>Yellow/red version</b>							
<b>Star-Delta</b>							
TKM 316U TK Y/R	16 A	16 A	16 A	7.5 kW	6419410344842	U2	0.5
TKM 325U TK Y/R	25 A	25 A	25 A	11 kW	6419410345030	U2	0.5
TKM 340U TK Y/R	40 A	40 A	40 A	18.5 kW	6419410345641	U2	0.5
<b>Reverse</b>							
TKM 316U SK Y/R	16 A	16 A	16 A	7.5 kW	6419410344743	U2	0.5
TKM 325U SK Y/R	25 A	25 A	25 A	11 kW	6419410345238	U2	0.5
TKM 340U SK Y/R	40 A	40 A	40 A	18.5 kW	6419410345986	U2	0.5

### CONNECTION DIAGRAMS

TKM 325U SK



TKM 325U TK

