


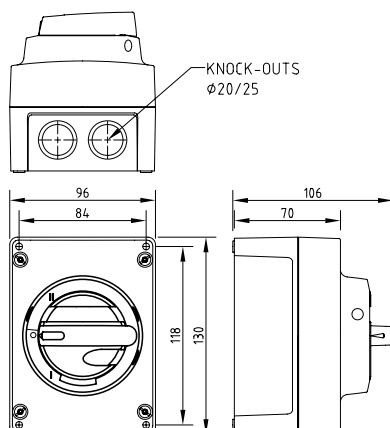


## CHANGE-OVER SWITCHES 16-160 A

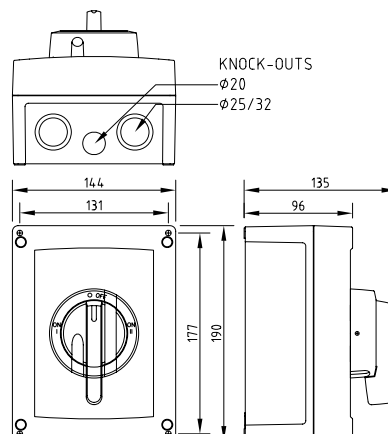
- Polycarbonate (TKM, KEM) or aluminium (KEA) enclosures
- TKM-models with cam switch from 16 to 40 A
- KEM and KEA models consist of two KU or VKA switches connected by a change-over kit and range from 16 to 160 A
- IP66; enclosure types U2, U3, A2
- IP65; enclosure type MF11
- Self-extinguishing material
- Excellent insulating properties
- Wide operating temperature range
- Good resistance against many chemicals
- Good UV resistance
- Padlockable   
- IEC 60947-3



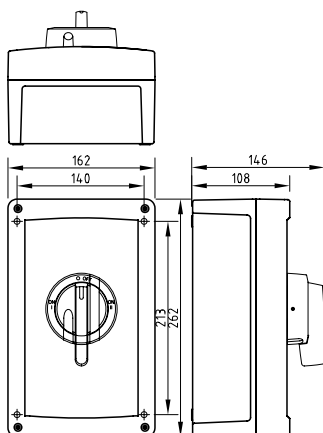
U2



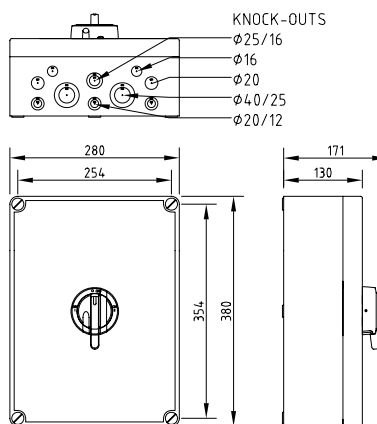
U3



A3



MF11



## CHANGE-OVER SWITCHES 16-160 A

### GREY/BLACK-SERIES

Type	400 V AC-21 415 V 690 V	400 V AC-22 415 V <sup>1)</sup> 690 V <sup>2)</sup>	AC-23 400 V 415 V	AC-23 690 V	EAN-Code	Switch	Enclosure	Weight kg		
	I <sub>e</sub> / A	I <sub>e</sub> / A	I <sub>e</sub> / A P / kW	I <sub>e</sub> / A P / kW						
<b>TKM (Polycarbonate)</b>										
<b>2-pole</b>										
TKM 225U VV	25 A*	25 A*	25 A*	11 kW	-	-	6419410346952	TK 225 VV	U2	0,5
TKM 240U VV	40 A*	40 A*	40 A*	18.5 kW	-	-	6419410346976	TK 240 VV	U2	0,5
<b>3-pole</b>										
TKM 316U VV	16 A*	16 A*	16 A*	7.5 kW	-	-	6419410345757	TK 316 VV	U2	0,5
TKM 325U VV	25 A*	25 A*	25 A*	11 kW	-	-	6419410345733	TK 325 VV	U2	0,5
TKM 340U VV	40 A*	40 A*	40 A*	18.5 kW	-	-	6419410345771	TK 340 VV	U2	0,5
<b>4-pole</b>										
TKM 416U VV	16 A*	16 A*	16 A*	7.5 kW	-	-	6419410347058	TK 416 VV	U2	0,5
TKM 425U VV	25 A*	25 A*	25 A*	11 kW	-	-	6419410345948	TK 425 VV	U2	0,5
TKM 440U VV	40 A*	40 A*	40 A*	18.5 kW	-	-	6419410347089	TK 440 VV	U2	0,5
<b>KEM (Polycarbonate)</b>										
<b>3-pole</b>										
KEM 316 VV	25 A	16 A	16 A	7.5 kW	16 A	11 kW	6419410320624	2xKU 316	U3	0,9
KEM 325 VV	40 A	25 A	25 A	11 kW	25 A	22 kW	6419410320631	2xKU 325	U3	0,9
KEM 340 VV	63 A	40 A	32 A	15 kW	32 A	30 kW	6419410320648	2xKU 340	U3	0,9
KEM 363 VV	80 A	63 A	40 A	22 kW	40 A	37 kW	6419410320655	2xKU 363	U3	0,9
KEM 380 VV	100 A	80 A	63 A	30 kW	40 A	37 kW	6419410320662	2xKU 380	U3	0,9
KEM 3100C VV	100 A	100 A <sup>1)</sup> / 80 A <sup>2)</sup>	63 A	30 kW	40 A	37 kW	6419410320679	2xKU 3100	MF11	2,1
KEM 3125C VV	125 A	125 A <sup>1)</sup> / 80 A <sup>2)</sup>	63 A	30 kW	40 A	37 kW	6419410320686	2xKU 3125	MF11	2,1
KEM 3125 VV 1-0-2	160 A	125 A	80 A	45 kW	80 A	55 kW	6419410320402	2xVKA 125	MF11	3,8
KEM 3160 VV 1-0-2	200 A	160 A	135 A	75 kW	125 A	90 kW	6419410320501	2xVKA 160	MF11	3,8
<b>4-pole</b>										
KEM 416 VV	25 A	16 A	16 A	7.5 kW	16 A	11 kW	6419410320853	2xKU 416	U3	1,0
KEM 425 VV	40 A	25 A	25 A	11 kW	25 A	22 kW	6419410320860	2xKU 425	U3	1,0
KEM 440 VV	63 A	40 A	32 A	15 kW	32 A	30 kW	6419410320877	2xKU 440	U3	1,0
KEM 463 VV	80 A	63 A	40 A	22 kW	40 A	37 kW	6419410320884	2xKU 463	U3	1,0
KEM 480 VV	100 A	80 A	63 A	30 kW	40 A	37 kW	6419410320891	2xKU 480	U3	1,0
KEM 4100C VV	100 A	100 A <sup>1)</sup> / 80 A <sup>2)</sup>	63 A	30 kW	40 A	37 kW	6419410320907	2xKU 4100	MF11	2,2
KEM 4125C VV	125 A	125 A <sup>1)</sup> / 80 A <sup>2)</sup>	63 A	30 kW	40 A	37 kW	6419410320914	2xKU 4125	MF11	2,2
KEM 4125 VV 1-0-2	160 A	125 A	80 A	45 kW	80 A	55 kW	6419410320426	2xVKA 125	MF11	4,0
KEM 4160 VV 1-0-2	200 A	160 A	135 A	75 kW	125 A	90 kW	6419410320525	2xVKA 160	MF11	4,0
<b>KEA (Aluminium)</b>										
<b>3-pole</b>										
KEA 316 VV	25 A	16 A	16 A	7.5 kW	16 A	11 kW	6419410329863	2xKU 316	A3	2,3
KEA 325 VV	40 A	25 A	25 A	11 kW	25 A	22 kW	6419410329870	2xKU 325	A3	2,3
KEA 340 VV	63 A	40 A	32 A	15 kW	32 A	30 kW	6419410329887	2xKU 340	A3	2,3
KEA 363 VV	80 A	63 A	40 A	22 kW	40 A	37 kW	6419410329894	2xKU 363	A3	2,3
KEA 380 VV	100 A	80 A	63 A	30 kW	40 A	37 kW	6419410329900	2xKU 380	A3	2,3
<b>4-pole</b>										
KEA 416 VV	25 A	16 A	16 A	7.5 kW	16 A	11 kW	6419410332245	2xKU 416	A3	2,4
KEA 425 VV	40 A	25 A	25 A	11 kW	25 A	22 kW	6419410332252	2xKU 425	A3	2,4
KEA 440 VV	63 A	40 A	32 A	15 kW	32 A	30 kW	6419410332269	2xKU 440	A3	2,4
KEA 463 VV	80 A	63 A	40 A	22 kW	40 A	37 kW	6419410332276	2xKU 463	A3	2,4
KEA 480 VV	100 A	80 A	63 A	30 kW	40 A	37 kW	6419410332283	2xKU 480	A3	2,4

\* 400/415 V

# CHANGE-OVER SWITCHES

## 16-160 A

### YELLOW/RED-SERIES

Type	AC-21	400 V 415 V 690 V	AC-22	400 V 415 V 690 V	AC-23	400 V 415 V	AC-23	690 V	EAN-Code	Switch	Enclosure	Weight kg
	I <sub>e</sub> / A	I <sub>e</sub> / A	I <sub>e</sub> / A	P / kW	I <sub>e</sub> / A	P / kW						
<b>TKM (Polycarbonate)</b>												
<b>2-pole</b>												
TKM 225U VV Y/R	25 A*		25 A*		25 A*	11 kW	-	-	6419410346969	TK 225 VV	U2	0,5
TKM 240U VV Y/R	40 A*		40 A*		40 A*	18,5 kW	-	-	6419410346983	TK 240 VV	U2	0,5
<b>3-pole</b>												
TKM 316U VV Y/R	16 A*		16 A*		16 A*	7,5 kW	-	-	6419410345764	TK 316 VV	U2	0,5
TKM 325U VV Y/R	25 A*		25 A*		25 A*	11 kW	-	-	6419410345740	TK 325 VV	U2	0,5
TKM 340U VV Y/R	40 A*		40 A*		40 A*	18,5 kW	-	-	6419410345788	TK 340 VV	U2	0,5
<b>4-pole</b>												
TKM 416U VV Y/R	16 A*		16 A*		16 A*	7,5 kW	-	-	6419410347065	TK 416 VV	U2	0,5
TKM 425U VV Y/R	25 A*		25 A*		25 A*	11 kW	-	-	6419410347072	TK 425 VV	U2	0,5
TKM 440U VV Y/R	40 A*		40 A*		40 A*	18,5 kW	-	-	6419410347096	TK 440 VV	U2	0,5
<b>KEM (Polycarbonate)</b>												
<b>3-pole</b>												
KEM 316 VV Y/R	25 A		16 A		16 A	7,5 kW	16 A	11 kW	6419410320723	2xKU 316	U3	0,9
KEM 325 VV Y/R	40 A		25 A		25 A	11 kW	25 A	22 kW	6419410320730	2xKU 325	U3	0,9
KEM 340 VV Y/R	63 A		40 A		32 A	15 kW	32 A	30 kW	6419410320747	2xKU 340	U3	0,9
KEM 363 VV Y/R	80 A		63 A		40 A	22 kW	40 A	37 kW	6419410320754	2xKU 363	U3	0,9
KEM 380 VV Y/R	100 A		80 A		63 A	30 kW	40 A	37 kW	6419410320761	2xKU 380	U3	0,9
KEM 3100C VV Y/R	100 A		100 A <sup>1)</sup> / 80 A <sup>2)</sup>		63 A	30 kW	40 A	37 kW	6419410320778	2xKU 3100	MF11	2,1
KEM 3125C VV Y/R	125 A		125 A <sup>1)</sup> / 80 A <sup>2)</sup>		63 A	30 kW	40 A	37 kW	6419410320785	2xKU 3125	MF11	2,1
KEM 3125 VV 1-0-2 Y/R	160 A		125 A		80 A	45 kW	80 A	55 kW	6419410320457	2xVKA 125	MF11	3,8
KEM 3160 VV 1-0-2 Y/R	200 A		160 A		135 A	75 kW	125 A	90 kW	6419410320556	2xVKA 160	MF11	3,8
<b>4-pole</b>												
KEM 416 VV Y/R	25 A		16 A		16 A	7,5 kW	16 A	11 kW	6419410320921	2xKU 416	U3	1,0
KEM 425 VV Y/R	40 A		25 A		25 A	11 kW	25 A	22 kW	6419410320938	2xKU 425	U3	1,0
KEM 440 VV Y/R	63 A		40 A		32 A	15 kW	32 A	30 kW	6419410320945	2xKU 440	U3	1,0
KEM 463 VV Y/R	80 A		63 A		40 A	22 kW	40 A	37 kW	6419410320952	2xKU 463	U3	1,0
KEM 480 VV Y/R	100 A		80 A		63 A	30 kW	40 A	37 kW	6419410320969	2xKU 480	U3	1,0
KEM 4100C VV Y/R	100 A		100 A <sup>1)</sup> / 80 A <sup>2)</sup>		63 A	30 kW	40 A	37 kW	6419410320976	2xKU 4100	MF11	2,2
KEM 4125C VV Y/R	125 A		125 A <sup>1)</sup> / 80 A <sup>2)</sup>		63 A	30 kW	40 A	37 kW	6419410320983	2xKU 4125	MF11	2,2
KEM 4125 VV 1-0-2 Y/R	160 A		125 A		80 A	45 kW	80 A	55 kW	6419410320471	2xVKA 125	MF11	4,0
KEM 4160 VV 1-0-2	200 A		160 A		135 A	75 kW	125 A	90 kW	6419410320570	2xVKA 160	MF11	4,0
<b>KEA (Aluminium)</b>												
<b>3-pole</b>												
KEA 316 VV Y/R	25 A		16 A		16 A	7,5 kW	16 A	11 kW	6419410329931	2xKU 316	A3	2,3
KEA 325 VV Y/R	40 A		25 A		25 A	11 kW	25 A	22 kW	6419410329948	2xKU 325	A3	2,3
KEA 340 VV Y/R	63 A		40 A		32 A	15 kW	32 A	30 kW	6419410329955	2xKU 340	A3	2,3
KEA 363 VV Y/R	80 A		63 A		40 A	22 kW	40 A	37 kW	6419410329962	2xKU 363	A3	2,3
KEA 380 VV Y/R	100 A		80 A		63 A	30 kW	40 A	37 kW	6419410329979	2xKU 380	A3	2,3
<b>4-pole</b>												
KEA 416 VV Y/R	25 A		16 A		16 A	7,5 kW	16 A	11 kW	6419410332313	2xKU 416	A3	2,4
KEA 425 VV Y/R	40 A		25 A		25 A	11 kW	25 A	22 kW	6419410332320	2xKU 425	A3	2,4
KEA 440 VV Y/R	63 A		40 A		32 A	15 kW	32 A	30 kW	6419410332337	2xKU 440	A3	2,4
KEA 463 VV Y/R	80 A		63 A		40 A	22 kW	40 A	37 kW	6419410332344	2xKU 463	A3	2,4
KEA 480 VV Y/R	100 A		80 A		63 A	30 kW	40 A	37 kW	6419410332351	2xKU 480	A3	2,4

\* 400/415 V