

ATEX SWITCHES

SAFETY SWITCHES / ISOLATORS

16-160 A

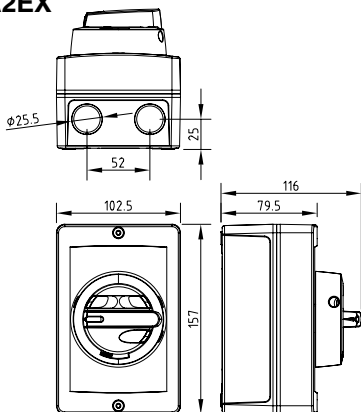
- Conforming to EN 61241
- Suitable for use in Zone 22 (Category 3D)
- IP66
- Frontal impact test of 7 J
- Temperature range from -20 °C to +40 °C
- ATEX Cable glands included
- Available in aluminium and stainless steel
- Available in yellow/red: Add Y/R at the end of the product code
- Explanation of the marking on the rating plate:

II 3D T6
 Ex tD A22 T65°C
 VTT 07 ATEX 038X

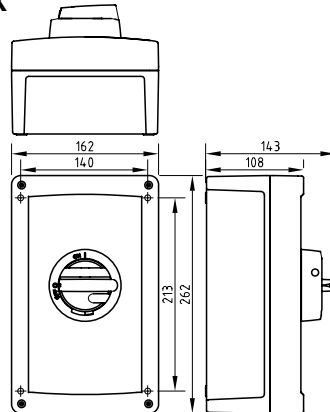
II = Equipment group (II = surface industries, I = mining)
 3 = Equipment category (suitable for zone 22)
 D = Explosive atmospheres caused by dust
 Ex = Complies with the ATEX directive
 tD A22 = Ex construction
 T65°C = Temperature class (maximum surface temperature 65 °C)
 VTT... = Certificate number



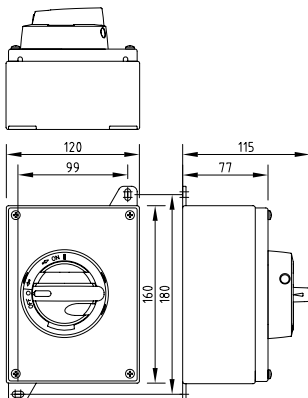
A2EX



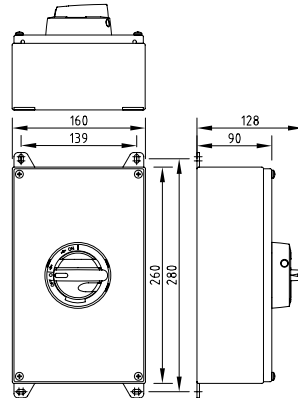
A3EX



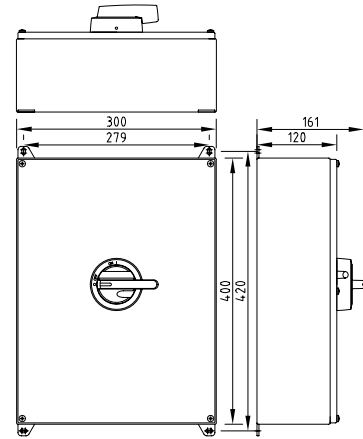
H23EX



H32EX



H02EX



ATEX SWITCHES GREY/BLACK-SERIES

Type	400 V	400 V	AC-23	400 V	AC-23	690 V	EAN-Code	Enclosure	Cable glands	Weight kg
	AC-21	415 V		AC-22		415 V				
	I _e / A	I _e / A	I _e / A	P / kW	I _e / A	P / kW				
Aluminium enclosures										
3-pole										
KEA 316U EX	25 A	16 A	16 A	7.5 kW	16 A	11 kW	6419410305508	A2EX	2xM25	0.9
KEA 325U EX	40 A	25 A	25 A	11 kW	25 A	22 kW	6419410305515	A2EX	2xM25	0.9
KEA 340U EX	63 A	40 A	32 A	15 kW	32 A	30 kW	6419410305522	A2EX	2xM25	0.9
KEA 363U EX	80 A	63 A	40 A	22 kW	40 A	37 kW	6419410305560	A3EX	2xM40	2.3
KEA 380U EX	100 A	80 A	63 A	30 kW	40 A	37 kW	6419410305577	A3EX	2xM40	2.3
KEA 3125U EX	160 A	125 A	80 A	45 kW	80 A	55 kW	6419410305584	A3EX	2xM40	3.8
KEA 3160U EX	200 A	160 A	135 A	75 kW	125 A	90 kW	6419410305591	A3EX	2xM40	3.8
4-pole										
KEA 416U EX	25 A	16 A	16 A	7.5 kW	16 A	11 kW	6419410305539	A2EX	2xM25	1
KEA 425U EX	40 A	25 A	25 A	11 kW	25 A	22 kW	6419410305546	A2EX	2xM25	1
KEA 440U EX	63 A	40 A	32 A	15 kW	32 A	30 kW	6419410305553	A2EX	2xM25	1
KEA 463U EX	80 A	63 A	40 A	22 kW	40 A	37 kW	6419410305607	A3EX	2xM40	2.4
KEA 480U EX	100 A	80 A	63 A	30 kW	40 A	37 kW	6419410305614	A3EX	2xM40	2.4
KEA 4125U EX	160 A	125 A	80 A	45 kW	80 A	55 kW	6419410305621	A3EX	2xM40	3.9
KEA 4160U EX	200 A	160 A	135 A	75 kW	125 A	90 kW	6419410305638	A3EX	2xM40	3.9
6-pole										
KEA 616U EX	25 A	16 A	16 A	7.5 kW	16 A	11 kW	6419410306208	A3EX	2xM40	2.6
KEA 625U EX	40 A	25 A	25 A	11 kW	25 A	22 kW	6419410306215	A3EX	2xM40	2.6
KEA 640U EX	63 A	40 A	32 A	15 kW	32 A	30 kW	6419410306222	A3EX	2xM40	2.6
KEA 663U EX	80 A	63 A	40 A	22 kW	40 A	37 kW	6419410306239	A3EX	2xM40	2.6
KEA 680U EX	100 A	80 A	63 A	30 kW	40 A	37 kW	6419410306246	A3EX	2xM40	2.6
8-pole										
KEA 816U EX	25 A	16 A	16 A	7.5 kW	16 A	11 kW	6419410306253	A3EX	2xM40	2.7
KEA 825U EX	40 A	25 A	25 A	11 kW	25 A	22 kW	6419410306260	A3EX	2xM40	2.7
KEA 840U EX	63 A	40 A	32 A	15 kW	32 A	30 kW	6419410306277	A3EX	2xM40	2.7
KEA 863U EX	80 A	63 A	40 A	22 kW	40 A	37 kW	6419410306284	A3EX	2xM40	2.7
KEA 880U EX	100 A	80 A	63 A	30 kW	40 A	37 kW	6419410306291	A3EX	2xM40	2.7
Stainless steel enclosures										
3-pole										
KER 316 EX	25 A	16 A	16 A	7.5 kW	16 A	11 kW	6419410305645	H23EX	2xM25	1.3
KER 325 EX	40 A	25 A	25 A	11 kW	25 A	22 kW	6419410305652	H23EX	2xM25	1.3
KER 340 EX	63 A	40 A	32 A	15 kW	32 A	30 kW	6419410305669	H23EX	2xM25	1.3
KER 363 EX	80 A	63 A	40 A	22 kW	40 A	37 kW	6419410305706	H32EX	2xM32	2.5
KER 380 EX	100 A	80 A	63 A	30 kW	40 A	37 kW	6419410305713	H32EX	2xM32	2.5
KER 3125 EX	160 A	125 A	80 A	45 kW	80 A	55 kW	6419410305720	H02EX	2xM40	7.2
KER 3160 EX	200 A	160 A	135 A	75 kW	125 A	90 kW	6419410305737	H02EX	2xM40	7.2
4-pole										
KER 416 EX	25 A	16 A	16 A	7.5 kW	16 A	11 kW	6419410305676	H23EX	2xM25	1.4
KER 425 EX	40 A	25 A	25 A	11 kW	25 A	22 kW	6419410305683	H23EX	2xM25	1.4
KER 440 EX	63 A	40 A	32 A	15 kW	32 A	30 kW	6419410305690	H23EX	2xM25	1.4
KER 463 EX	80 A	63 A	40 A	22 kW	40 A	37 kW	6419410305744	H32EX	2xM32	2.6
KER 480 EX	100 A	80 A	63 A	30 kW	40 A	37 kW	6419410305751	H32EX	2xM32	2.6
KER 4125 EX	160 A	125 A	80 A	45 kW	80 A	55 kW	6419410305768	H02EX	2xM40	7.3
KER 4160 EX	200 A	160 A	135 A	75 kW	125 A	90 kW	6419410305775	H02EX	2xM40	7.3
6-pole										
KER 616 EX	25 A	16 A	16 A	7.5 kW	16 A	11 kW	6419410306406	H32EX	2xM25	2.6
KER 625 EX	40 A	25 A	25 A	11 kW	25 A	22 kW	6419410306413	H32EX	2xM25	2.6
KER 640 EX	63 A	40 A	32 A	15 kW	32 A	30 kW	6419410306420	H32EX	2xM25	2.6
KER 663 EX	80 A	63 A	40 A	22 kW	40 A	37 kW	6419410306437	H32EX	2xM32	2.7
KER 680 EX	100 A	80 A	63 A	30 kW	40 A	37 kW	6419410306444	H32EX	2xM32	2.7
KER 6125 EX	160 A	125 A	80 A	45 kW	80 A	55 kW	6419410306505	H02EX	4xM40	7.6
KER 6160 EX	200 A	160 A	135 A	75 kW	125 A	90 kW	6419410306512	H02EX	4xM40	7.6
8-pole										
KER 816 EX	25 A	16 A	16 A	7.5 kW	16 A	11 kW	6419410306451	H32EX	2xM25	2.7
KER 825 EX	40 A	25 A	25 A	11 kW	25 A	22 kW	6419410306468	H32EX	2xM25	2.7
KER 840 EX	63 A	40 A	32 A	15 kW	32 A	30 kW	6419410306475	H32EX	2xM32	2.8
KER 863 EX	80 A	63 A	40 A	22 kW	40 A	37 kW	6419410306482	H32EX	2xM32	2.8
KER 880 EX	100 A	80 A	63 A	30 kW	40 A	37 kW	6419410306499	H32EX	2xM32	2.8
KER 8125 EX	160 A	125 A	80 A	45 kW	80 A	55 kW	6419410306529	H02EX	4xM40	7.8
KER 8160 EX	200 A	160 A	135 A	75 kW	125 A	90 kW	6419410306536	H02EX	4xM40	7.8