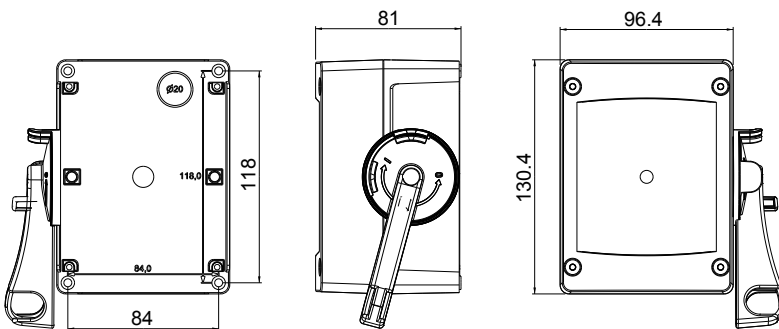


SIDE OPERATED SWITCHES POLYCARBONATE ENCLOSED 16-40 A

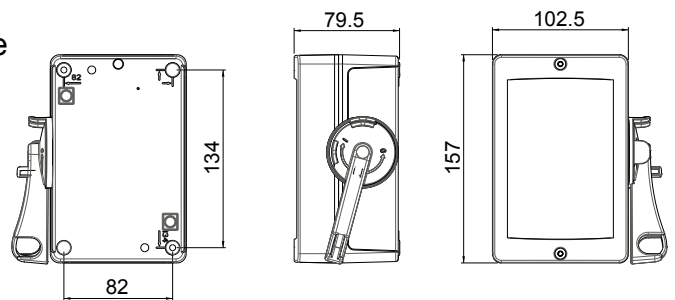
- Available in grey/black, yellow/red or fireman red
- Good resistance against UV and many chemicals
- Self-extinguishing material and excellent insulating properties
- Fully rated Load Break Switch breaking capacity of 8 x AC23 rating
- Cable entries: 2 x M20/M25 as standard on the top and bottom and M20 on the base
- Mounting holes: 118,0 x 84,0
- Padlockable handle in 0-position and also available in 1-position
- Knock-out glands are easy to open
- Large cable terminals 1,5-16 mm²



Type	400 V AC-21	400 V AC-22	AC-23	400 V AC-23	AC-23	EAN-Code	Enclosure	Weight kg
	415 V 690 V	415 V 690 V		415 V	690 V			
	I _e / A	I _e / A	I _e / A	P / kW	I _e / A	P / kW		
Grey/black version								
3-pole								
KE 316M	25 A	16 A	16 A	7.5 kW	16 A	11 kW	6419410304006	U2 0.5
KE 325M	40 A	25 A	25 A	11 kW	25 A	22 kW	6419410304013	U2 0.5
KE 340M	63 A	40 A	32 A	15 kW	32 A	30 kW	6419410304020	U2 0.5
4-pole								
KE 416M	25 A	16 A	16 A	7.5 kW	16 A	11 kW	6419410304037	U2 0.5
KE 425M	40 A	25 A	25 A	11 kW	25 A	22 kW	6419410304044	U2 0.5
KE 440M	63 A	40 A	32 A	15 kW	32 A	30 kW	6419410304051	U2 0.5
Yellow/red version								
3-pole								
KE 316M Y/R	25 A	16 A	16 A	7.5 kW	16 A	11 kW	6419410304129	U2 0.5
KE 325M Y/R	40 A	25 A	25 A	11 kW	25 A	22 kW	6419410304136	U2 0.5
KE 340M Y/R	63 A	40 A	32 A	15 kW	32 A	30 kW	6419410304143	U2 0.5
4-pole								
KE 416M Y/R	25 A	16 A	16 A	7.5 kW	16 A	11 kW	6419410304150	U2 0.5
KE 425M Y/R	40 A	25 A	25 A	11 kW	25 A	22 kW	6419410304167	U2 0.5
KE 440M Y/R	63 A	40 A	32 A	15 kW	32 A	30 kW	6419410304174	U2 0.5
Fireman version								
3-pole								
KEF 316M	25 A	16 A	16 A	7.5 kW	16 A	11 kW	6419410304365	U2 0.5
KEF 325M	40 A	25 A	25 A	11 kW	25 A	22 kW	6419410304372	U2 0.5
KEF 340M	63 A	40 A	32 A	15 kW	32 A	30 kW	6419410304389	U2 0.5
4-pole								
KEF 416M	25 A	16 A	16 A	7.5 kW	16 A	11 kW	6419410304396	U2 0.5
KEF 425M	40 A	25 A	25 A	11 kW	25 A	22 kW	6419410304402	U2 0.5
KEF 440M	63 A	40 A	32 A	15 kW	32 A	30 kW	6419410304419	U2 0.5

SIDE OPERATED SWITCHES ALUMINIUM ENCLOSED 16-40 A

- Available in grey/black, yellow/red or fireman red
- Good resistance against UV and many chemicals
- Withstands high impact and has wide operating temperature
- Fully rated Load Break Switch breaking capacity of 8 x AC23 rating
- Cable entries: 2 x M25 as standard on the top and bottom
- Mounting holes: 213,0 x 144,0
- Padlockable handle in 0-position and also available in 1-position
- EMC shielding with EMC glands as an option
- Large cable terminals 1,5-16 mm²
- KE handle of right side, KEF handle on left side



Type	400 V AC-21 415 V 690 V		400 V AC-22 415 V 690 V		AC-23 400 V 415 V P / kW	AC-23 690 V		EAN-Code	Enclosure	Weight kg
	I _e / A	I _e / A	I _e / A	P / kW		I _e / A	P / kW			
Grey/black version										
3-pole										
KE 316A	25 A	16 A	16 A	7.5 kW	16 A	11 kW	6419410304488	A2	0.9	
KE 325A	40 A	25 A	25 A	11 kW	25 A	22 kW	6419410304495	A2	0.9	
KE 340A	63 A	40 A	32 A	15 kW	32 A	30 kW	6419410304501	A2	0.9	
4-pole										
KE 416A	25 A	16 A	16 A	7.5 kW	16 A	11 kW	6419410304518	A2	0.9	
KE 425A	40 A	25 A	25 A	11 kW	25 A	22 kW	6419410304525	A2	0.9	
KE 440A	63 A	40 A	32 A	15 kW	32 A	30 kW	6419410304532	A2	0.9	
Yellow/red version										
3-pole										
KE 316A Y/R	25 A	16 A	16 A	7.5 kW	16 A	11 kW	6419410304600	A2	0.9	
KE 325A Y/R	40 A	25 A	25 A	11 kW	25 A	22 kW	6419410304617	A2	0.9	
KE 340A Y/R	63 A	40 A	32 A	15 kW	32 A	30 kW	6419410304624	A2	0.9	
4-pole										
KE 416A Y/R	25 A	16 A	16 A	7.5 kW	16 A	11 kW	6419410304631	A2	0.9	
KE 425A Y/R	40 A	25 A	25 A	11 kW	25 A	22 kW	6419410304648	A2	0.9	
KE 440A Y/R	63 A	40 A	32 A	15 kW	32 A	30 kW	6419410304655	A2	0.9	
Fireman version										
3-pole										
KEF 316A	25 A	16 A	16 A	7.5 kW	16 A	11 kW	6419410305003	A2	0.9	
KEF 325A	40 A	25 A	25 A	11 kW	25 A	22 kW	6419410304846	A2	0.9	
KEF 340A	63 A	40 A	32 A	15 kW	32 A	30 kW	6419410304853	A2	0.9	
4-pole										
KEF 416A	25 A	16 A	16 A	7.5 kW	16 A	11 kW	6419410304860	A2	0.9	
KEF 425A	40 A	25 A	25 A	11 kW	25 A	22 kW	6419410304877	A2	0.9	
KEF 440A	63 A	40 A	32 A	15 kW	32 A	30 kW	6419410304884	A2	0.9	