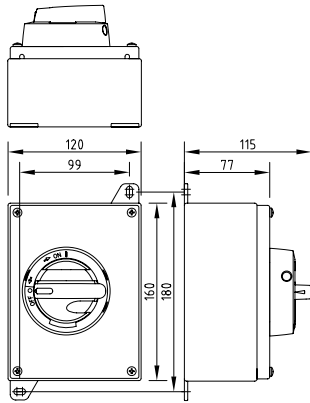


## STAINLESS STEEL ENCLOSED SAFETY SWITCHES / ISOLATORS 16-630 A

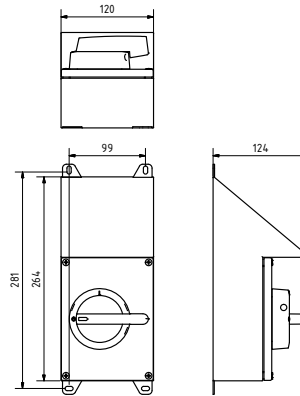
- IP 66; Enclosure types H23, H32, H02 (AISI 316, acid proof)
- IP 65; Enclosure types H03, H04 (AISI 304 as standard, AISI 316 upon request)
- Where hygiene and good protection against corrosion are required
- Padlockable 🔒 🔒 🔒
- Door interlock with defeat mechanism
- Available with rainhood (enclosure H24)



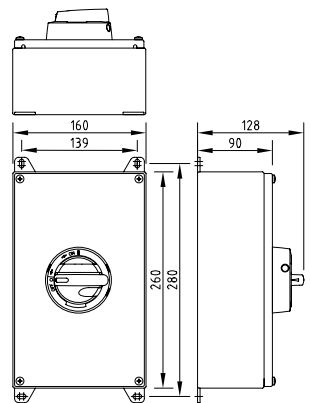
**H23**



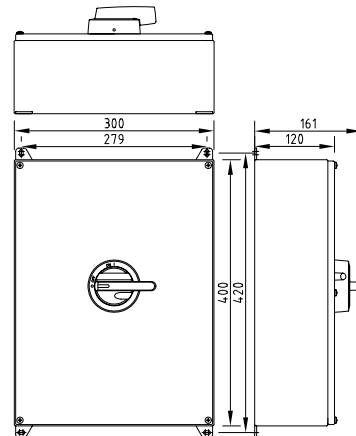
**H24**



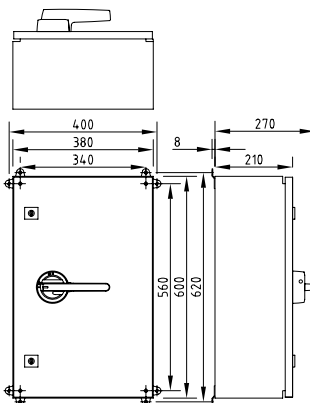
**H32**



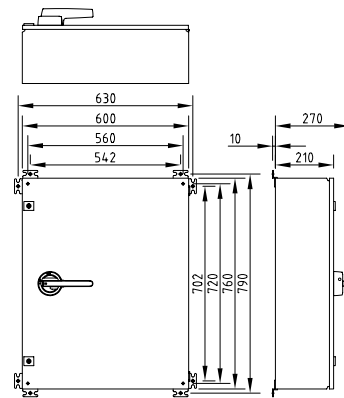
**H02**



**H03**



**H04**



# STAINLESS STEEL ENCLOSED SAFETY SWITCHES / ISOLATORS 16-630 A

## GREY/BLACK-SERIES

Type	400 V		400 V		AC-23	400 V		AC-23	690 V		EAN-Code	Enclosure	Weight kg
	AC-21	415 V 690 V	AC-22	415 V 690 V		400 V 415 V	P / kW		690 V	P / kW			
	I <sub>e</sub> / A		I <sub>e</sub> / A		I <sub>e</sub> / A	P / kW		I <sub>e</sub> / A	P / kW				
<b>3-pole</b>													
KER 316	25 A		16 A		16 A	7.5 kW		16 A	11 kW		6419410343005	H23	1.2
KER 325	40 A		25 A		25 A	11 kW		25 A	22 kW		6419410343203	H23	1.2
KER 340	63 A		40 A		32 A	15 kW		32 A	30 kW		6419410343401	H23	1.2
KER 363	80 A		63 A		40 A	22 kW		40 A	37 kW		6419410343562	H32	2.3
KER 380	100 A		80 A		63 A	30 kW		40 A	37 kW		6419410343609	H32	2.3
KER 3125	160 A		125 A		80 A	45 kW		80 A	55 kW		6419410343647	H02	6.9
KER 3160	200 A		160 A		135 A	75 kW		125 A	90 kW		6419410343685	H02	6.9
KER 3200	200 A		200 A		200 A	110 kW		200 A	160 kW		6419410343722	H03	15
KER 3200C	200 A		200 A*		200 A	110 kW		-	-		6419410347805	H02	7.7
KER 3250	250 A		250 A		250 A	132 kW		250 A	250 kW		6419410343784	H03	15
KER 3250C	250 A		250 A*		250 A	132 kW		-	-		6419410347829	H02	7.7
KER 3315	315 A		315 A		315 A	160 kW		315 A	315 kW		6419410343845	H03	16
KER 3400	400 A		400 A		400 A	200 kW		400 A	355 kW		6419410343906	H03	16
KER 3630	630 A		630 A		630 A	355 kW		500 A	500 kW		6419410343968	H04	25
<b>4-pole</b>													
KER 416	25 A		16 A		16 A	7.5 kW		16 A	11 kW		6419410343104	H23	1.3
KER 425	40 A		25 A		25 A	11 kW		25 A	22 kW		6419410343302	H23	1.3
KER 440	63 A		40 A		32 A	15 kW		32 A	30 kW		6419410343500	H23	1.3
KER 463	80 A		63 A		40 A	22 kW		40 A	37 kW		6419410343586	H32	2.4
KER 480	100 A		80 A		63 A	30 kW		40 A	37 kW		6419410343623	H32	2.4
KER 4125	160 A		125 A		80 A	45 kW		80 A	55 kW		6419410343661	H02	7
KER 4160	200 A		160 A		135 A	75 kW		125 A	90 kW		6419410343708	H02	7
KER 4200	200 A		200 A		200 A	110 kW		200 A	160 kW		6419410343746	H03	16
KER 4200C	200 A		200 A*		200 A	110 kW		-	-		6419410347843	H02	7.8
KER 4250	250 A		250 A		250 A	132 kW		250 A	250 kW		6419410343807	H03	16
KER 4250C	250 A		250 A*		250 A	132 kW		-	-		6419410347867	H02	7.8
KER 4315	315 A		315 A		315 A	160 kW		315 A	315 kW		6419410343869	H03	16
KER 4400	400 A		400 A		400 A	200 kW		400 A	355 kW		6419410343920	H03	16
KER 4630	630 A		630 A		630 A	355 kW		500 A	500 kW		6419410344002	H04	26
<b>6-pole</b>													
KER 616	25 A		16 A		16 A	7.5 kW		16 A	11 kW		6419410342879	H32	2.5
KER 625	40 A		25 A		25 A	11 kW		25 A	22 kW		6419410342893	H32	2.5
KER 640	63 A		40 A		32 A	15 kW		32 A	30 kW		6419410342916	H32	2.5
KER 663	80 A		63 A		40 A	22 kW		40 A	37 kW		6419410342930	H32	2.5
KER 680	100 A		80 A		63 A	30 kW		40 A	37 kW		6419410342954	H32	2.5
KER 6125	160 A		125 A		80 A	45 kW		80 A	55 kW		6419410342978	H02	7.3
KER 6160	200 A		160 A		135 A	75 kW		125 A	90 kW		6419410342992	H02	7.3
KER 6200	200 A		200 A		200 A	110 kW		200 A	160 kW		6419410343760	H04	25
KER 6250	250 A		250 A		250 A	132 kW		250 A	250 kW		6419410343821	H04	25
KER 6315	315 A		315 A		315 A	160 kW		315 A	315 kW		6419410343883	H04	26
KER 6400	400 A		400 A		400 A	200 kW		400 A	355 kW		6419410343944	H04	26
<b>8-pole</b>													
KER 816	25 A		16 A		16 A	7.5 kW		16 A	11 kW		6419410342886	H32	2.6
KER 825	40 A		25 A		25 A	11 kW		25 A	22 kW		6419410342909	H32	2.6
KER 840	63 A		40 A		32 A	15 kW		32 A	30 kW		6419410342923	H32	2.6
KER 863	80 A		63 A		40 A	22 kW		40 A	37 kW		6419410342947	H32	2.6
KER 880	100 A		80 A		63 A	30 kW		40 A	37 kW		6419410342961	H32	2.6
KER 8125	160 A		125 A		80 A	45 kW		80 A	55 kW		6419410342985	H02	7.5
KER 8160	200 A		160 A		135 A	75 kW		125 A	90 kW		6419410343012	H02	7.5

\* 400/415 V

## STAINLESS STEEL ENCLOSED SAFETY SWITCHES / ISOLATORS 16-630 A

### YELLOW/RED-SERIES

Type	400 V	400 V	AC-23	400 V	AC-23	690 V	EAN-Code	Enclosure	Weight kg
	AC-21	AC-22		415 V		415 V			
	415 V	415 V		415 V					
	690 V	690 V		690 V					
	I <sub>e</sub> / A	I <sub>e</sub> / A	I <sub>e</sub> / A	P / kW	I <sub>e</sub> / A	P / kW			
<b>3-pole</b>									
KER 316 Y/R	25 A	16 A	16 A	7.5 kW	16 A	11 kW	6419410343050	H23	1.2
KER 325 Y/R	40 A	25 A	25 A	11 kW	25 A	22 kW	6419410343258	H23	1.2
KER 340 Y/R	63 A	40 A	32 A	15 kW	32 A	30 kW	6419410343456	H23	1.2
KER 363 Y/R	80 A	63 A	40 A	22 kW	40 A	37 kW	6419410343579	H32	2.3
KER 380 Y/R	100 A	80 A	63 A	30 kW	40 A	37 kW	6419410343616	H32	2.3
KER 3125 Y/R	160 A	125 A	80 A	45 kW	80 A	55 kW	6419410343654	H02	6.9
KER 3160 Y/R	200 A	160 A	135 A	75 kW	125 A	90 kW	6419410343692	H02	6.9
KER 3200 Y/R	200 A	200 A	200 A	110 kW	200 A	160 kW	6419410343739	H03	15
KER 3200C Y/R	200 A	200 A*	200 A	110 kW	-	-	6419410347812	H02	7.7
KER 3250 Y/R	250 A	250 A	250 A	132 kW	250 A	250 kW	6419410343791	H03	15
KER 3250C Y/R	250 A	250 A*	250 A	132 kW	-	-	6419410347836	H02	7.7
KER 3315 Y/R	315 A	315 A	315 A	160 kW	315 A	315 kW	6419410343852	H03	16
KER 3400 Y/R	400 A	400 A	400 A	200 kW	400 A	355 kW	6419410343913	H03	16
KER 3630 Y/R	630 A	630 A	630 A	355 kW	500 A	500 kW	6419410343975	H04	25
<b>4-pole</b>									
KER 416 Y/R	25 A	16 A	16 A	7.5 kW	16 A	11 kW	6419410343159	H23	1.3
KER 425 Y/R	40 A	25 A	25 A	11 kW	25 A	22 kW	6419410343357	H23	1.3
KER 440 Y/R	63 A	40 A	32 A	15 kW	32 A	30 kW	6419410343555	H23	1.3
KER 463 Y/R	80 A	63 A	40 A	22 kW	40 A	37 kW	6419410343593	H32	2.4
KER 480 Y/R	100 A	80 A	63 A	30 kW	40 A	37 kW	6419410343630	H32	2.4
KER 4125 Y/R	160 A	125 A	80 A	45 kW	80 A	55 kW	6419410343678	H02	7
KER 4160 Y/R	200 A	160 A	135 A	75 kW	125 A	90 kW	6419410343715	H02	7
KER 4200 Y/R	200 A	200 A	200 A	110 kW	200 A	160 kW	6419410343753	H03	16
KER 4200C Y/R	200 A	200 A*	200 A	110 kW	-	-	6419410347850	H02	7.8
KER 4250 Y/R	250 A	250 A	250 A	132 kW	250 A	250 kW	6419410343814	H03	16
KER 4250C Y/R	250 A	250 A*	250 A	132 kW	-	-	6419410347874	H02	7.8
KER 4315 Y/R	315 A	315 A	315 A	160 kW	315 A	315 kW	6419410343876	H03	16
KER 4400 Y/R	400 A	400 A	400 A	200 kW	400 A	355 kW	6419410343937	H03	16
KER 4630 Y/R	630 A	630 A	630 A	355 kW	500 A	500 kW	6419410344019	H04	26
<b>6-pole</b>									
KER 616 Y/R	25 A	16 A	16 A	7.5 kW	16 A	11 kW	6419410342237	H32	2.5
KER 625 Y/R	40 A	25 A	25 A	11 kW	25 A	22 kW	6419410342251	H32	2.5
KER 640 Y/R	63 A	40 A	32 A	15 kW	32 A	30 kW	6419410342275	H32	2.5
KER 663 Y/R	80 A	63 A	40 A	22 kW	40 A	37 kW	6419410342299	H32	2.5
KER 680 Y/R	100 A	80 A	63 A	30 kW	40 A	37 kW	6419410342312	H32	2.5
KER 6125 Y/R	160 A	125 A	80 A	45 kW	80 A	55 kW	6419410342336	H02	7.3
KER 6160 Y/R	200 A	160 A	135 A	75 kW	125 A	90 kW	6419410342367	H02	7.3
KER 6200 Y/R	200 A	200 A	200 A	110 kW	200 A	160 kW	6419410343777	H04	25
KER 6250 Y/R	250 A	250 A	250 A	132 kW	250 A	250 kW	6419410343838	H04	25
KER 6315 Y/R	315 A	315 A	315 A	160 kW	315 A	315 kW	6419410343890	H04	26
KER 6400 Y/R	400 A	400 A	400 A	200 kW	400 A	355 kW	6419410343951	H04	26
<b>8-pole</b>									
KER 816 Y/R	25 A	16 A	16 A	7.5 kW	16 A	11 kW	6419410342244	H32	2.6
KER 825 Y/R	40 A	25 A	25 A	11 kW	25 A	22 kW	6419410342268	H32	2.6
KER 840 Y/R	63 A	40 A	32 A	15 kW	32 A	30 kW	6419410342282	H32	2.6
KER 863 Y/R	80 A	63 A	40 A	22 kW	40 A	37 kW	6419410342305	H32	2.6
KER 880 Y/R	100 A	80 A	63 A	30 kW	40 A	37 kW	6419410342329	H32	2.6
KER 8125 Y/R	160 A	125 A	80 A	45 kW	80 A	55 kW	6419410342350	H02	7.5
KER 8160 Y/R	200 A	160 A	135 A	75 kW	125 A	90 kW	6419410342374	H02	7.5

\* 400/415 V