


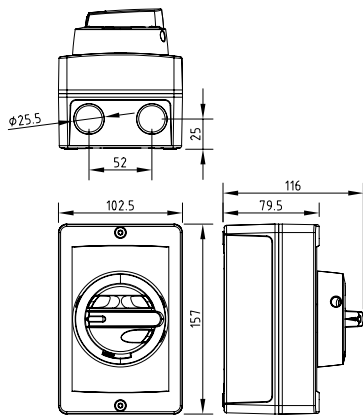


ALUMINIUM ENCLOSED SAFETY SWITCHES / ISOLATORS 16-250 A

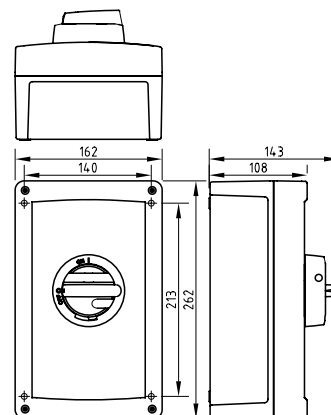
- IP 66; Enclosure types A2, A3
- IP 65; Enclosure types A4, A5
- Wide operating temperature range
- Good resistance against many chemicals
- Good UV resistance
- Excellent for hard weather conditions
- Padlockable   



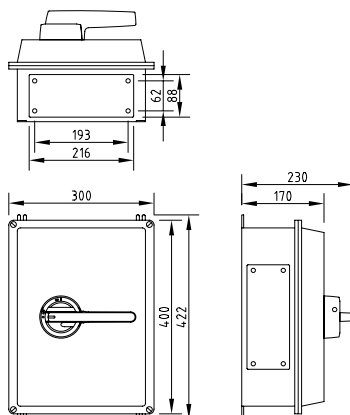
A2



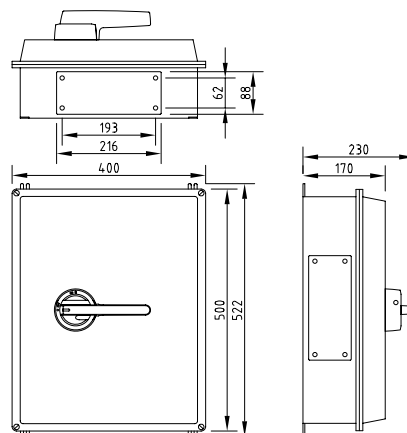
A3



A4



A5



ALUMINIUM ENCLOSED SAFETY SWITCHES / ISOLATORS 16-250 A

GREY/BLACK-SERIES

Type	400 V AC-21 415 V 690 V		400 V AC-22 415 V 690 V		AC-23 400 V 415 V		AC-23 690 V		EAN-Code	Enclosure	Weight kg
	I _e / A	I _e / A	I _e / A	P / kW	I _e / A	P / kW					
3-pole											
KEA 316U	25 A	16 A	16 A	7.5 kW	16 A	11 kW	6419410330036	A2	0.8		
KEA 325U	40 A	25 A	25 A	11 kW	25 A	22 kW	6419410330234	A2	0.8		
KEA 340U	63 A	40 A	32 A	15 kW	32 A	30 kW	6419410330432	A2	0.8		
KEA 363U	80 A	63 A	40 A	22 kW	40 A	37 kW	6419410329566	A3	2		
KEA 380U	100 A	80 A	63 A	30 kW	40 A	37 kW	6419410329603	A3	2		
KEA 3125U	160 A	125 A	80 A	45 kW	80 A	55 kW	6419410329641	A3	3.5		
KEA 3160U	200 A	160 A	135 A	75 kW	125 A	90 kW	6419410329665	A3	3.5		
KEA 3200	200 A	200 A	200 A	110 kW	200 A	160 kW	6416410332641	A5	14		
KEA 3200C	200 A	200 A*	200 A	110 kW	-	-	6419410332900	A4	8.6		
KEA 3250	250 A	250 A	250 A	132 kW	250 A	250 kW	6416410332665	A5	14		
KEA 3250C	250 A	250 A*	250 A	132 kW	-	-	6419410332924	A4	8.6		
4-pole											
KEA 416U	25 A	16 A	16 A	7.5 kW	16 A	11 kW	6419410330050	A2	0.9		
KEA 425U	40 A	25 A	25 A	11 kW	25 A	22 kW	6419410330258	A2	0.9		
KEA 440U	63 A	40 A	32 A	15 kW	32 A	30 kW	6419410330456	A2	0.9		
KEA 463U	80 A	63 A	40 A	22 kW	40 A	37 kW	6419410329573	A3	2.1		
KEA 480U	100 A	80 A	63 A	30 kW	40 A	37 kW	6419410329610	A3	2.1		
KEA 4125U	160 A	125 A	80 A	45 kW	80 A	55 kW	6419410329658	A3	3.6		
KEA 4160U	200 A	160 A	135 A	75 kW	125 A	90 kW	6419410329672	A3	3.6		
KEA 4200C	200 A	200 A*	200 A	110 kW	-	-	6419410332948	A4	8.7		
KEA 4250C	250 A	250 A*	250 A	132 kW	-	-	6419410332962	A4	8.7		
6-pole											
KEA 616U	25 A	16 A	16 A	7.5 kW	16 A	11 kW	6419410329504	A3	2.3		
KEA 625U	40 A	25 A	25 A	11 kW	25 A	22 kW	6419410329528	A3	2.3		
KEA 640U	63 A	40 A	32 A	15 kW	32 A	30 kW	6419410329542	A3	2.3		
KEA 663U	80 A	63 A	40 A	22 kW	40 A	37 kW	6419410329580	A3	2.3		
KEA 680U	100 A	80 A	63 A	30 kW	40 A	37 kW	6419410329627	A3	2.3		
KEA 6125	160 A	125 A	80 A	45 kW	80 A	55 kW	6419410332207	A4	9.9		
KEA 6160	200 A	160 A	135 A	75 kW	125 A	90 kW	6416410332603	A4	9.9		
8-pole											
KEA 816U	25 A	16 A	16 A	7.5 kW	16 A	11 kW	6419410329511	A3	2.4		
KEA 825U	40 A	25 A	25 A	11 kW	25 A	22 kW	6419410329535	A3	2.4		
KEA 840U	63 A	40 A	32 A	15 kW	32 A	30 kW	6419410329559	A3	2.4		
KEA 863U	80 A	63 A	40 A	22 kW	40 A	37 kW	6419410329597	A3	2.4		
KEA 880U	100 A	80 A	63 A	30 kW	40 A	37 kW	6419410329634	A3	2.4		
KEA 8125	160 A	125 A	80 A	45 kW	80 A	55 kW	6419410332221	A4	10		
KEA 8160	200 A	160 A	135 A	75 kW	125 A	90 kW	6416410332627	A4	10		

ALUMINIUM ENCLOSED SAFETY SWITCHES / ISOLATORS 16-250 A

YELLOW/RED-SERIES

Type	400 V		400 V		AC-23	400 V		AC-23	690 V		EAN-Code	Enclosure	Weight kg
	AC-21	415 V	AC-22	415 V		400 V	415 V		690 V	P / kW			
	I _e / A	I _e / A	I _e / A	I _e / A	P / kW	I _e / A	P / kW						
3-pole													
KEA 316U Y/R	25 A	16 A	16 A	16 A	7.5 kW	16 A	11 kW	6419410330043	A2	0.8			
KEA 325U Y/R	40 A	25 A	25 A	25 A	11 kW	25 A	22 kW	6419410330241	A2	0.8			
KEA 340U Y/R	63 A	40 A	32 A	32 A	15 kW	32 A	30 kW	6419410330449	A2	0.8			
KEA 363U Y/R	80 A	63 A	40 A	40 A	22 kW	40 A	37 kW	6419410329740	A3	2			
KEA 380U Y/R	100 A	80 A	63 A	63 A	30 kW	40 A	37 kW	6419410329788	A3	2			
KEA 3125U Y/R	160 A	125 A	80 A	80 A	45 kW	80 A	55 kW	6419410329825	A3	3.5			
KEA 3160U Y/R	200 A	160 A	135 A	135 A	75 kW	125 A	90 kW	6419410329849	A3	3.5			
KEA 3200 Y/R	200 A	200 A	200 A	200 A	110 kW	200 A	160 kW	6416410332658	A5	14			
KEA 3200C Y/R	200 A	200 A*	200 A	200 A	110 kW	-	-	6419410332917	A4	8.6			
KEA 3250 Y/R	250 A	250 A	250 A	250 A	132 kW	250 A	250 kW	6416410332672	A5	14			
KEA 3250C Y/R	250 A	250 A*	250 A	250 A	132 kW	-	-	6419410332931	A4	8.6			
4-pole													
KEA 416U Y/R	25 A	16 A	16 A	16 A	7.5 kW	16 A	11 kW	6419410330067	A2	0.9			
KEA 425U Y/R	40 A	25 A	25 A	25 A	11 kW	25 A	22 kW	6419410330265	A2	0.9			
KEA 440U Y/R	63 A	40 A	32 A	32 A	15 kW	32 A	30 kW	6419410330463	A2	0.9			
KEA 463U Y/R	80 A	63 A	40 A	40 A	22 kW	40 A	37 kW	6419410329757	A3	2.1			
KEA 480U Y/R	100 A	80 A	63 A	63 A	30 kW	40 A	37 kW	6419410329795	A3	2.1			
KEA 4125U Y/R	160 A	125 A	80 A	80 A	45 kW	80 A	55 kW	6419410329832	A3	3.6			
KEA 4160U Y/R	200 A	160 A	135 A	135 A	75 kW	125 A	90 kW	6419410329856	A3	3.6			
KEA 4200C Y/R	200 A	200 A*	200 A	200 A	110 kW	-	-	6419410332955	A4	8.7			
KEA 4250C Y/R	250 A	250 A*	250 A	250 A	132 kW	-	-	6419410332979	A4	8.7			
6-pole													
KEA 616U Y/R	25 A	16 A	16 A	16 A	7.5 kW	16 A	11 kW	6419410329689	A3	2.3			
KEA 625U Y/R	40 A	25 A	25 A	25 A	11 kW	25 A	22 kW	6419410329702	A3	2.3			
KEA 640U Y/R	63 A	40 A	32 A	32 A	15 kW	32 A	30 kW	6419410329726	A3	2.3			
KEA 663U Y/R	80 A	63 A	40 A	40 A	22 kW	40 A	37 kW	6419410329764	A3	2.3			
KEA 680U Y/R	100 A	80 A	63 A	63 A	30 kW	40 A	37 kW	6419410329801	A3	2.3			
KEA 6125 Y/R	160 A	125 A	80 A	80 A	45 kW	80 A	55 kW	6419410332207	A4	9.9			
KEA 6160 Y/R	200 A	160 A	135 A	135 A	75 kW	125 A	90 kW	6416410336410	A4	9.9			
8-pole													
KEA 816U Y/R	25 A	16 A	16 A	16 A	7.5 kW	16 A	11 kW	6419410329696	A3	2.4			
KEA 825U Y/R	40 A	25 A	25 A	25 A	11 kW	25 A	22 kW	6419410329719	A3	2.4			
KEA 840U Y/R	63 A	40 A	32 A	32 A	15 kW	32 A	30 kW	6419410329733	A3	2.4			
KEA 863U Y/R	80 A	63 A	40 A	40 A	22 kW	40 A	37 kW	6419410329771	A3	2.4			
KEA 880U Y/R	100 A	80 A	63 A	63 A	30 kW	40 A	37 kW	6419410329818	A3	2.4			
KEA 8125 Y/R	160 A	125 A	80 A	80 A	45 kW	80 A	55 kW	6419410332221	A4	10			
KEA 8160 Y/R	200 A	160 A	135 A	135 A	75 kW	125 A	90 kW	6416410336427	A4	10			