


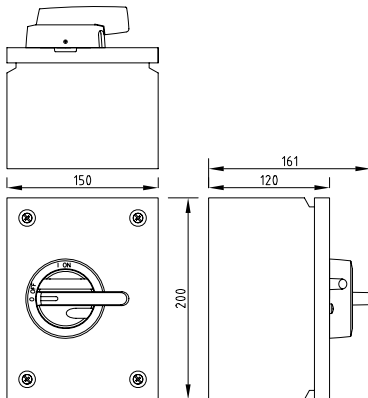


SHEET STEEL ENCLOSED SAFETY SWITCHES / ISOLATORS 16-630 A

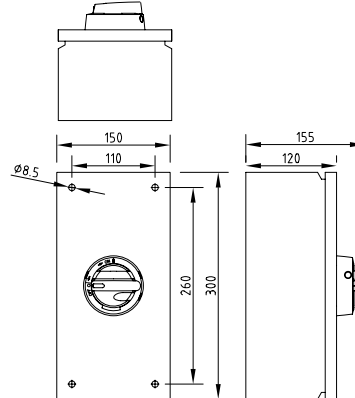
- IP 65
- Good corrosion resistance
- Wide operating temperature range
- Padlockable   
- Door interlock with defeat mechanism
- Excellent insulating properties
- Good UV resistance
- Good resistance against many chemicals
- Available up to 2500 A on request



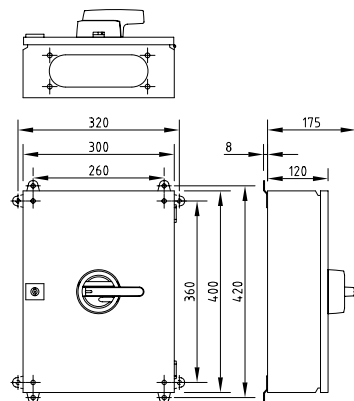
TR007



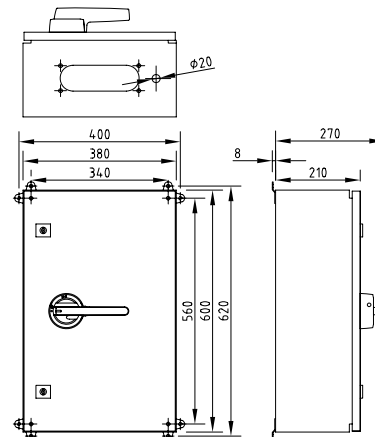
TR01



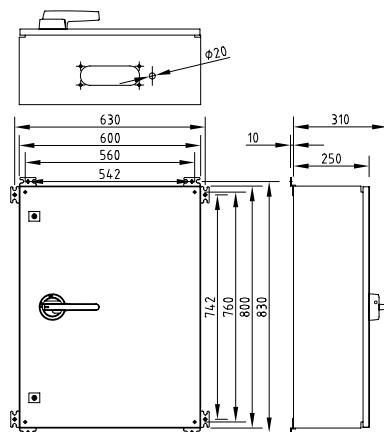
TR02



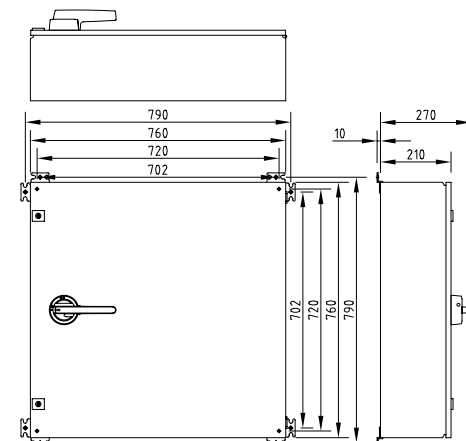
TR03



TR04



TR06



SHEET STEEL ENCLOSED SAFETY SWITCHES / ISOLATORS GREY/BLACK-SERIES

Type	400 V AC-21 415 V	400 V AC-22 415 V	AC-23 400 V 415 V	400 V 415 V P / kW	AC-23 690 V P / kW	EAN-Code	Enclosure	Weight kg	
	690 V I _e / A	690 V I _e / A							I _e / A
3-pole									
KET 316	25 A	16 A	16 A	7.5 kW	16 A	11 kW	6419410339800	TR007	2.1
KET 325	40 A	25 A	25 A	11 kW	25 A	22 kW	6419410339848	TR007	2.1
KET 340	63 A	40 A	32 A	15 kW	32 A	30 kW	6419410339886	TR007	2.1
KET 363	80 A	63 A	40 A	22 kW	40 A	37 kW	6419410339923	TR007	2.1
KET 380	100 A	80 A	63 A	30 kW	40 A	37 kW	6419410339961	TR007	2.1
KET 3125	160 A	125 A	80 A	45 kW	80 A	55 kW	6419410339251	TR01	4.3
KET 3160	200 A	160 A	135 A	75 kW	125 A	90 kW	6419410339299	TR02	9.7
KET 3200	200 A	200 A	200 A	110 kW	200 A	160 kW	6419410336700	TR03	19
KET 3200C	200 A	200 A*	200 A	110 kW	-	-	6419410336731	TR02	7.6
KET 3250	250 A	250 A	250 A	132 kW	250 A	250 kW	6419410337103	TR03	19
KET 3250C	250 A	250 A*	250 A	132 kW	-	-	6419410337134	TR02	7.6
KET 3315	315 A	315 A	315 A	160 kW	315 A	315 kW	6419410337509	TR03	20
KET 3400	400 A	400 A	400 A	200 kW	400 A	355 kW	6419410337905	TR03	20
KET 3630	630 A	630 A	630 A	355 kW	500 A	500 kW	6419410338308	TR04	39
4-pole									
KET 416	25 A	16 A	16 A	7.5 kW	16 A	11 kW	6419410339817	TR007	2.2
KET 425	40 A	25 A	25 A	11 kW	25 A	22 kW	6419410339855	TR007	2.2
KET 440	63 A	40 A	32 A	15 kW	32 A	30 kW	6419410339893	TR007	2.2
KET 463	80 A	63 A	40 A	22 kW	40 A	37 kW	6419410339930	TR007	2.2
KET 480	100 A	80 A	63 A	30 kW	40 A	37 kW	6419410339978	TR007	2.2
KET 4125	160 A	125 A	80 A	45 kW	80 A	55 kW	6419410339275	TR01	4.5
KET 4160	200 A	160 A	135 A	75 kW	125 A	90 kW	6419410339312	TR02	9.9
KET 4200	200 A	200 A	200 A	110 kW	200 A	160 kW	6419410341315	TR03	20
KET 4200C	200 A	200 A*	200 A	110 kW	-	-	6419410341346	TR02	7.7
KET 4250	250 A	250 A	250 A	132 kW	250 A	250 kW	6419410341711	TR03	20
KET 4250C	250 A	250 A*	250 A	132 kW	-	-	6419410341773	TR02	7.7
KET 4315	315 A	315 A	315 A	160 kW	315 A	315 kW	6419410337547	TR03	20
KET 4400	400 A	400 A	400 A	200 kW	400 A	355 kW	6419410337967	TR03	20
KET 4630	630 A	630 A	630 A	355 kW	500 A	500 kW	6419410338346	TR04	40
6-pole									
KET 616	25 A	16 A	16 A	7.5 kW	16 A	11 kW	6419410339824	TR007	2.4
KET 625	40 A	25 A	25 A	11 kW	25 A	22 kW	6419410339862	TR007	2.4
KET 640	63 A	40 A	32 A	15 kW	32 A	30 kW	6419410339909	TR007	2.4
KET 663	80 A	63 A	40 A	22 kW	40 A	37 kW	6419410339947	TR007	2.4
KET 680	100 A	80 A	63 A	30 kW	40 A	37 kW	6419410339985	TR007	2.4
KET 6125	160 A	125 A	80 A	45 kW	80 A	55 kW	6419410338902	TR02	8.6
KET 6160	200 A	160 A	135 A	75 kW	125 A	90 kW	6419410338926	TR02	8.6
KET 6200	200 A	200 A	200 A	110 kW	200 A	160 kW	6419410341438	TR04	40
KET 6250	250 A	250 A	250 A	132 kW	250 A	250 kW	6419410341834	TR04	40
KET 6315	315 A	315 A	315 A	160 kW	315 A	315 kW	6419410337561	TR06	36
KET 6400	400 A	400 A	400 A	200 kW	400 A	355 kW	6419410338100	TR06	36
8-pole									
KET 816	25 A	16 A	16 A	7.5 kW	16 A	11 kW	6419410339831	TR007	2.5
KET 825	40 A	25 A	25 A	11 kW	25 A	22 kW	6419410339879	TR007	2.5
KET 840	63 A	40 A	32 A	15 kW	32 A	30 kW	6419410339916	TR007	2.5
KET 863	80 A	63 A	40 A	22 kW	40 A	37 kW	6419410339954	TR007	2.5
KET 880	100 A	80 A	63 A	30 kW	40 A	37 kW	6419410339992	TR007	2.5
KET 8125	160 A	125 A	80 A	45 kW	80 A	55 kW	6419410338919	TR02	8.8
KET 8160	200 A	160 A	135 A	75 kW	125 A	90 kW	6419410338933	TR02	8.8

* 400/415 V

SHEET STEEL ENCLOSED SAFETY SWITCHES / ISOLATORS YELLOW/RED-SERIES

Type	400 V AC-21 415 V 690 V	400 V AC-22 415 V 690 V	AC-23	400 V 415 V	AC-23	690 V	EAN-Code	Enclosure	Weight kg
	I _e / A	I _e / A	I _e / A	P / kW	I _e / A	P / kW			
3-pole									
KET 316 Y/R	25 A	16 A	16 A	7.5 kW	16 A	11 kW	6419410341513	TR007	2.1
KET 325 Y/R	40 A	25 A	25 A	11 kW	25 A	22 kW	6419410341551	TR007	2.1
KET 340 Y/R	63 A	40 A	32 A	15 kW	32 A	30 kW	6419410341599	TR007	2.1
KET 363 Y/R	80 A	63 A	40 A	22 kW	40 A	37 kW	6419410341636	TR007	2.1
KET 380 Y/R	100 A	80 A	63 A	30 kW	40 A	37 kW	6419410341735	TR007	2.1
KET 3125 Y/R	160 A	125 A	80 A	45 kW	80 A	55 kW	6419410339268	TR01	4.3
KET 3160 Y/R	200 A	160 A	135 A	75 kW	125 A	90 kW	6419410339305	TR02	9.7
KET 3200 Y/R	200 A	200 A	200 A	110 kW	200 A	160 kW	6419410336724	TR03	19
KET 3200C Y/R	200 A	200 A*	200 A	110 kW	-	-	6419410336748	TR02	7.6
KET 3250 Y/R	250 A	250 A	250 A	132 kW	250 A	250 kW	6419410337127	TR03	19
KET 3250C Y/R	250 A	250 A*	250 A	132 kW	-	-	6419410337141	TR02	7.6
KET 3315 Y/R	315 A	315 A	315 A	160 kW	315 A	315 kW	6419410337523	TR03	20
KET 3400 Y/R	400 A	400 A	400 A	200 kW	400 A	355 kW	6419410337929	TR03	20
KET 3630 Y/R	630 A	630 A	630 A	355 kW	500 A	500 kW	6419410338322	TR04	39
4-pole									
KET 416 Y/R	25 A	16 A	16 A	7.5 kW	16 A	11 kW	6419410341520	TR007	2.2
KET 425 Y/R	40 A	25 A	25 A	11 kW	25 A	22 kW	6419410341568	TR007	2.2
KET 440 Y/R	63 A	40 A	32 A	15 kW	32 A	30 kW	6419410341605	TR007	2.2
KET 463 Y/R	80 A	63 A	40 A	22 kW	40 A	37 kW	6419410341643	TR007	2.2
KET 480 Y/R	100 A	80 A	63 A	30 kW	40 A	37 kW	6419410341742	TR007	2.2
KET 4125 Y/R	160 A	125 A	80 A	45 kW	80 A	55 kW	6419410339282	TR01	4.5
KET 4160 Y/R	200 A	160 A	135 A	75 kW	125 A	90 kW	6419410339329	TR02	9.9
KET 4200 Y/R	200 A	200 A	200 A	110 kW	200 A	160 kW	6419410341339	TR03	20
KET 4200C Y/R	200 A	200 A*	200 A	110 kW	-	-	6419410341353	TR02	7.7
KET 4250 Y/R	250 A	250 A	250 A	132 kW	250 A	250 kW	6419410341698	TR03	20
KET 4250C Y/R	250 A	250 A*	250 A	132 kW	-	-	6419410341780	TR02	7.7
KET 4315 Y/R	315 A	315 A	315 A	160 kW	315 A	315 kW	6419410337554	TR03	20
KET 4400 Y/R	400 A	400 A	400 A	200 kW	400 A	355 kW	6419410337974	TR03	20
KET 4630 Y/R	630 A	630 A	630 A	355 kW	500 A	500 kW	6419410338353	TR04	40
6-pole									
KET 616 Y/R	25 A	16 A	16 A	7.5 kW	16 A	11 kW	6419410341537	TR007	2.4
KET 625 Y/R	40 A	25 A	25 A	11 kW	25 A	22 kW	6419410341575	TR007	2.4
KET 640 Y/R	63 A	40 A	32 A	15 kW	32 A	30 kW	6419410341612	TR007	2.4
KET 663 Y/R	80 A	63 A	40 A	22 kW	40 A	37 kW	6419410341650	TR007	2.4
KET 680 Y/R	100 A	80 A	63 A	30 kW	40 A	37 kW	6419410341759	TR007	2.4
KET 6125 Y/R	160 A	125 A	80 A	45 kW	80 A	55 kW	6419410341254	TR02	8.6
KET 6160 Y/R	200 A	160 A	135 A	75 kW	125 A	90 kW	6419410341278	TR02	8.6
KET 6200 Y/R	200 A	200 A	200 A	110 kW	200 A	160 kW	6419410341445	TR04	40
KET 6250 Y/R	250 A	250 A	250 A	132 kW	250 A	250 kW	6419410341841	TR04	40
KET 6315 Y/R	315 A	315 A	315 A	160 kW	315 A	315 kW	6419410337707	TR06	36
KET 6400 Y/R	400 A	400 A	400 A	200 kW	400 A	355 kW	6419410338117	TR06	36
8-pole									
KET 816 Y/R	25 A	16 A	16 A	7.5 kW	16 A	11 kW	6419410341544	TR007	2.5
KET 825 Y/R	40 A	25 A	25 A	11 kW	25 A	22 kW	6419410341582	TR007	2.5
KET 840 Y/R	63 A	40 A	32 A	15 kW	32 A	30 kW	6419410341629	TR007	2.5
KET 863 Y/R	80 A	63 A	40 A	22 kW	40 A	37 kW	6419410341667	TR007	2.5
KET 880 Y/R	100 A	80 A	63 A	30 kW	40 A	37 kW	6419410341766	TR007	2.5
KET 8125 Y/R	160 A	125 A	80 A	45 kW	80 A	55 kW	6419410341261	TR02	8.8
KET 8160 Y/R	200 A	160 A	135 A	75 kW	125 A	90 kW	6419410341285	TR02	8.8

* 400/415 V