


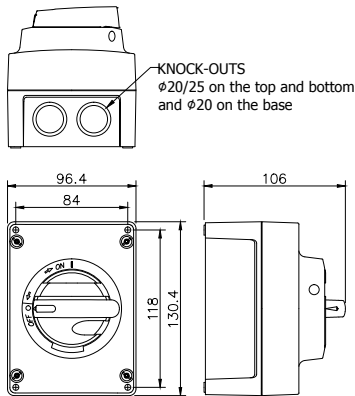


## POLYCARBONATE ENCLOSED SAFETY SWITCHES / ISOLATORS 10-630 A

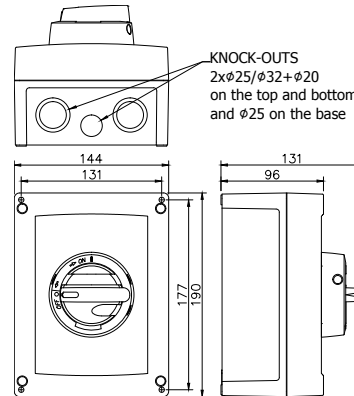
- IP 66; Enclosure types U2, U3, U4
- IP 65; Enclosure types MF11, MF03, MF04
- Self-extinguishing material
- Wide operating temperature range
- Padlockable   
- Door interlock with defeat mechanism
- Excellent insulating properties
- Good UV resistance
- Good resistance against many chemicals



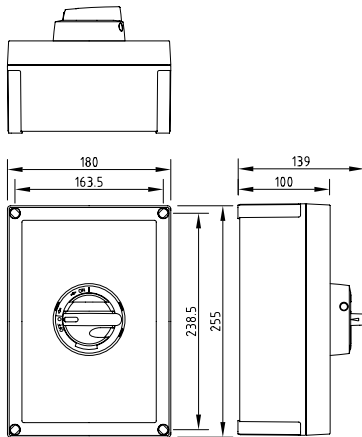
**U2**



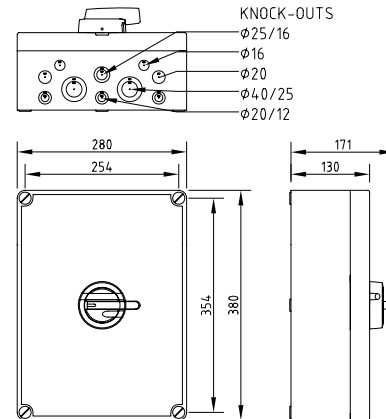
**U3**



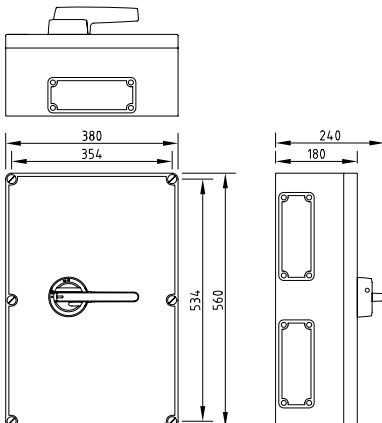
**U4**



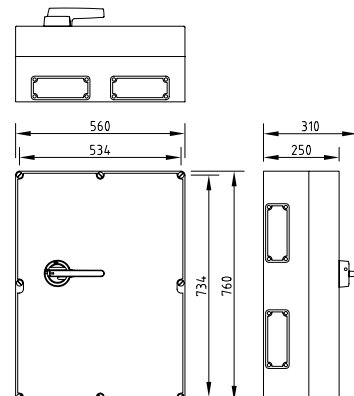
**MF11**



**MF03**



**MF04**



# POLYCARBONATE ENCLOSED SAFETY SWITCHES / ISOLATORS 10-630 A

## GREY/BLACK-SERIES

Type	400 V AC-21 415 V 690 V	400 V AC-22 415 V 690 V	AC-23 400 V 415 V	P / kW	AC-23 690 V	EAN-Code	Enclosure	Weight kg	
	I <sub>e</sub> / A	I <sub>e</sub> / A	I <sub>e</sub> / A		I <sub>e</sub> / A				P / kW
<b>3-pole</b>									
KEM 310U	20 A	10 A	10 A	5.5 kW	10 A	7.5 kW	6419410327654	U2	0.4
KEM 316U	25 A	16 A	16 A	7.5 kW	16 A	11 kW	6419410327661	U2	0.4
KEM 325U	40 A	25 A	25 A	11 kW	25 A	22 kW	6419410327685	U2	0.4
KEM 340U	63 A	40 A	32 A	15 kW	32 A	30 kW	6419410327708	U2	0.4
KEM 363U	80 A	63 A	40 A	22 kW	40 A	37 kW	6419410399637	U3	0.6
KEM 380U	100 A	80 A	63 A	30 kW	40 A	37 kW	6419410399651	U3	0.6
KEM 3125U	160 A	125 A	80 A	45 kW	80 A	55 kW	6419410481721	U4	1
KEM 3160	200 A	160 A	135 A	75 kW	125 A	90 kW	6419410323403	MF11	3.3
KEM 3200	200 A	200 A	200 A	110 kW	200 A	160 kW	6419410323809	MF03	7.8
KEM 3200C	200 A	200 A*	200 A	110 kW	-	-	6419410323816	MF11	3.4
KEM 3250	250 A	250 A	250 A	132 kW	250 A	250 kW	6419410324202	MF03	7.8
KEM 3250C	250 A	250 A*	250 A	132 kW	-	-	6419410324219	MF11	3.4
KEM 3315	315 A	315 A	315 A	160 kW	315 A	315 kW	6419410324608	MF03	8.2
KEM 3400	400 A	400 A	400 A	200 kW	400 A	355 kW	6419410325001	MF03	8.2
KEM 3630	630 A	630 A	630 A	355 kW	500 A	500 kW	6419410325407	MF04	6
<b>4-pole</b>									
KEM 410U	20 A	10 A	10 A	5.5 kW	10 A	7.5 kW	6419410321072	U2	0.5
KEM 416U	25 A	16 A	16 A	7.5 kW	16 A	11 kW	6419410327678	U2	0.5
KEM 425U	40 A	25 A	25 A	11 kW	25 A	22 kW	6419410327692	U2	0.5
KEM 440U	63 A	40 A	32 A	15 kW	32 A	30 kW	6419410327715	U2	0.5
KEM 463U	80 A	63 A	40 A	22 kW	40 A	37 kW	6419410399675	U3	0.7
KEM 480U	100 A	80 A	63 A	30 kW	40 A	37 kW	6419410399699	U3	0.7
KEM 4125U	160 A	125 A	80 A	45 kW	80 A	55 kW	6419410323120	U4	1
KEM 4160	200 A	160 A	135 A	75 kW	125 A	90 kW	6419410323502	MF11	3.4
KEM 4200	200 A	200 A	200 A	110 kW	200 A	160 kW	6419410323908	MF03	8.3
KEM 4200C	200 A	200 A*	200 A	110 kW	-	-	6419410323915	MF11	3.5
KEM 4250	250 A	250 A	250 A	132 kW	250 A	250 kW	6419410324325	MF03	8.3
KEM 4250C	250 A	250 A*	250 A	132 kW	-	-	6419410324332	MF11	3.5
KEM 4315	315 A	315 A	315 A	160 kW	315 A	315 kW	6419410324707	MF03	8.8
KEM 4400	400 A	400 A	400 A	200 kW	400 A	355 kW	6419410325100	MF03	8.8
KEM 4630	630 A	630 A	630 A	355 kW	500 A	500 kW	6419410327616	MF04	7
<b>6-pole</b>									
KEM 616U	25 A	16 A	16 A	7.5 kW	16 A	11 kW	6419410399712	U3	0.9
KEM 625U	40 A	25 A	25 A	11 kW	25 A	22 kW	6419410399736	U3	0.9
KEM 640U	63 A	40 A	32 A	15 kW	32 A	30 kW	6419410399750	U3	0.9
KEM 663U	80 A	63 A	40 A	22 kW	40 A	37 kW	6419410399774	U3	0.9
KEM 680U	100 A	80 A	63 A	30 kW	40 A	37 kW	6419410399798	U3	0.9
KEM 6125	160 A	125 A	80 A	45 kW	80 A	55 kW	6419410323205	MF11	2.1
KEM 6160	200 A	160 A	135 A	75 kW	125 A	90 kW	6419410323601	MF11	3.8
<b>8-pole</b>									
KEM 816U	25 A	16 A	16 A	7.5 kW	16 A	11 kW	6419410399811	U3	1
KEM 825U	40 A	25 A	25 A	11 kW	25 A	22 kW	6419410399835	U3	1
KEM 840U	63 A	40 A	32 A	15 kW	32 A	30 kW	6419410399859	U3	1
KEM 863U	80 A	63 A	40 A	22 kW	40 A	37 kW	6419410399873	U3	1
KEM 880U	100 A	80 A	63 A	30 kW	40 A	37 kW	6419410399897	U3	1
KEM 8125	160 A	125 A	80 A	45 kW	80 A	55 kW	6419410323304	MF11	2.2
KEM 8160	200 A	160 A	135 A	75 kW	125 A	90 kW	6419410323700	MF11	4

\* 400/415 V




## POLYCARBONATE ENCLOSED SAFETY SWITCHES / ISOLATORS 10-630 A

### YELLOW/RED-SERIES

Type	400 V AC-21 415 V 690 V	400 V AC-22 415 V 690 V	AC-23 400 V 415 V	AC-23 690 V	EAN-Code	Enclosure	Weight kg
	I <sub>e</sub> / A	I <sub>e</sub> / A	I <sub>e</sub> / A P / kW	I <sub>e</sub> / A P / kW			
<b>3-pole</b>							
KEM 310U Y/R	20 A	10 A	10 A 5.5 kW	10 A 7.5 kW	6419410327722	U2	0.4
KEM 316U Y/R	25 A	16 A	16 A 7.5 kW	16 A 11 kW	6419410327739	U2	0.4
KEM 325U Y/R	40 A	25 A	25 A 11 kW	25 A 22 kW	6419410327753	U2	0.4
KEM 340U Y/R	63 A	40 A	32 A 15 kW	32 A 30 kW	6419410327777	U2	0.4
KEM 363U Y/R	80 A	63 A	40 A 22 kW	40 A 37 kW	6419410399644	U3	0.6
KEM 380U Y/R	100 A	80 A	63 A 30 kW	40 A 37 kW	6419410399668	U3	0.6
KEM 3125U Y/R	160 A	125 A	80 A 45 kW	80 A 55 kW	6419410481738	U4	1
KEM 3160 Y/R	200 A	160 A	135 A 75 kW	125 A 90 kW	6419410319505	MF11	3.3
KEM 3200 Y/R	200 A	200 A	200 A 110 kW	200 A 160 kW	6419410319826	MF03	7.8
KEM 3200C Y/R	200 A	200 A*	200 A 110 kW	-	6419410323823	MF11	3.4
KEM 3250 Y/R	250 A	250 A	250 A 132 kW	250 A 250 kW	6419410319888	MF03	7.8
KEM 3250C Y/R	250 A	250 A*	250 A 132 kW	-	6419410324226	MF11	3.4
KEM 3315 Y/R	315 A	315 A	315 A 160 kW	315 A 315 kW	6419410319949	MF03	8.2
KEM 3400 Y/R	400 A	400 A	400 A 200 kW	400 A 355 kW	6419410320006	MF03	8.2
KEM 3630 Y/R	630 A	630 A	630 A 355 kW	500 A 500 kW	6419410320068	MF04	6
<b>4-pole</b>							
KEM 410U Y/R	20 A	10 A	10 A 5.5 kW	10 A 7.5 kW	6419410301487	U2	0.5
KEM 416U Y/R	25 A	16 A	16 A 7.5 kW	16 A 11 kW	6419410327746	U2	0.5
KEM 425U Y/R	40 A	25 A	25 A 11 kW	25 A 22 kW	6419410327760	U2	0.5
KEM 440U Y/R	63 A	40 A	32 A 15 kW	32 A 30 kW	6419410327784	U2	0.5
KEM 463U Y/R	80 A	63 A	40 A 22 kW	40 A 37 kW	6419410399682	U3	0.7
KEM 480U Y/R	100 A	80 A	63 A 30 kW	40 A 37 kW	6419410399705	U3	0.7
KEM 4125U Y/R	160 A	125 A	80 A 45 kW	80 A 55 kW	6419410323144	U4	1
KEM 4160 Y/R	200 A	160 A	135 A 75 kW	125 A 90 kW	6419410319604	MF11	3.4
KEM 4200 Y/R	200 A	200 A	200 A 110 kW	200 A 160 kW	6419410323922	MF03	8.3
KEM 4200C Y/R	200 A	200 A*	200 A 110 kW	-	6419410323939	MF11	3.5
KEM 4250 Y/R	250 A	250 A	250 A 132 kW	250 A 250 kW	6419410324349	MF03	8.3
KEM 4250C Y/R	250 A	250 A*	250 A 132 kW	-	9419410324356	MF11	3.5
KEM 4315 Y/R	315 A	315 A	315 A 160 kW	315 A 315 kW	6419410324721	MF03	8.8
KEM 4400 Y/R	400 A	400 A	400 A 200 kW	400 A 355 kW	6419410325124	MF03	8.8
KEM 4630 Y/R	630 A	630 A	630 A 355 kW	500 A 500 kW	6419410327623	MF04	7
<b>6-pole</b>							
KEM 616U Y/R	25 A	16 A	16 A 7.5 kW	16 A 11 kW	6419410399729	U3	0.9
KEM 625U Y/R	40 A	25 A	25 A 11 kW	25 A 22 kW	6419410399743	U3	0.9
KEM 640U Y/R	63 A	40 A	32 A 15 kW	32 A 30 kW	6419410399767	U3	0.9
KEM 663U Y/R	80 A	63 A	40 A 22 kW	40 A 37 kW	6419410399781	U3	0.9
KEM 680U Y/R	100 A	80 A	63 A 30 kW	40 A 37 kW	6419410399804	U3	0.9
KEM 6125 Y/R	160 A	125 A	80 A 45 kW	80 A 55 kW	6419410319307	MF11	2.1
KEM 6160 Y/R	200 A	160 A	135 A 75 kW	125 A 90 kW	6419410319703	MF11	3.8
<b>8-pole</b>							
KEM 816U Y/R	25 A	16 A	16 A 7.5 kW	16 A 11 kW	6419410399828	U3	1
KEM 825U Y/R	40 A	25 A	25 A 11 kW	25 A 22 kW	6419410399842	U3	1
KEM 840U Y/R	63 A	40 A	32 A 15 kW	32 A 30 kW	6419410399866	U3	1
KEM 863U Y/R	80 A	63 A	40 A 22 kW	40 A 37 kW	6419410399880	U3	1
KEM 880U Y/R	100 A	80 A	63 A 30 kW	40 A 37 kW	6419410399903	U3	1
KEM 8125 Y/R	160 A	125 A	80 A 45 kW	80 A 55 kW	6419410319406	MF11	2.2
KEM 8160 Y/R	200 A	160 A	135 A 75 kW	125 A 90 kW	6419410319758	MF11	4

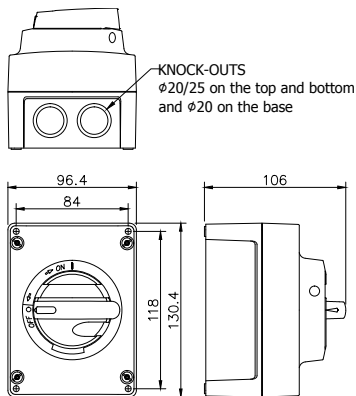
\* 400/415 V

## ABS ENCLOSED SAFETY SWITCHES / ISOLATORS 10-80 A

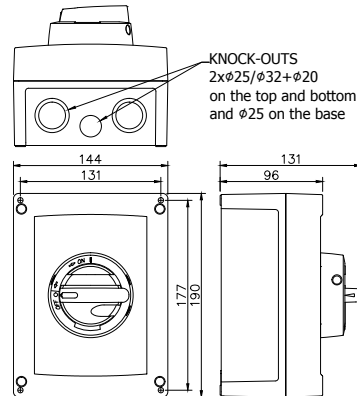
- IP 65
- Padlockable   
- Door interlock with defeat mechanism
- Excellent insulating properties
- Good resistance against many chemicals
- E/G=Grey, Y/R=Yellow/Red



U2



U3



Type	400 V	400 V	AC-23	400 V	AC-23	690 V	EAN-Code	Enclosure	Weight
	AC-21	AC-22							
	415 V	415 V	I <sub>e</sub> / A	I <sub>e</sub> / A	I <sub>e</sub> / A	P / kW			kg
	690 V	690 V							
<b>Grey/black version</b>									
<b>3-pole</b>									
KEM 310U E/G	20 A	10 A	10 A	5.5 kW	10 A	7.5 kW	6419410481004	U2	0.4
KEM 316U E/G	25 A	16 A	16 A	7.5 kW	16 A	11 kW	6419410481028	U2	0.4
KEM 325U E/G	40 A	25 A	25 A	11 kW	25 A	22 kW	6419410481042	U2	0.4
KEM 340U E/G	63 A	40 A	32 A	15 kW	32 A	30 kW	6419410481066	U2	0.4
KEM 363U E/G	80 A	63 A	40 A	22 kW	40 A	37 kW	6419410481325	U3	0.6
KEM 380U E/G	100 A	80 A	63 A	30 kW	40 A	37 kW	6419410481363	U3	0.6
<b>4-pole</b>									
KEM 410U E/G	20 A	10 A	10 A	5.5 kW	10 A	7.5 kW	6419410481011	U2	0.5
KEM 416U E/G	25 A	16 A	16 A	7.5 kW	16 A	11 kW	6419410481035	U2	0.5
KEM 425U E/G	40 A	25 A	25 A	11 kW	25 A	22 kW	6419410481059	U2	0.5
KEM 440U E/G	63 A	40 A	32 A	15 kW	32 A	30 kW	6419410481073	U2	0.5
KEM 463U E/G	80 A	63 A	40 A	22 kW	40 A	37 kW	6419410481332	U3	0.7
KEM 480U E/G	100 A	80 A	63 A	30 kW	40 A	37 kW	6419410481370	U3	0.7
<b>Yellow/red version</b>									
<b>3-pole</b>									
KEM 310U Y/R ABS	20 A	10 A	10 A	5.5 kW	10 A	7.5 kW	6419410481165	U2	0.4
KEM 316U Y/R ABS	25 A	16 A	16 A	7.5 kW	16 A	11 kW	6419410481189	U2	0.4
KEM 325U Y/R ABS	40 A	25 A	25 A	11 kW	25 A	22 kW	6419410481202	U2	0.4
KEM 340U Y/R ABS	63 A	40 A	32 A	15 kW	32 A	30 kW	6419410481226	U2	0.4
KEM 363U Y/R ABS	80 A	63 A	40 A	22 kW	40 A	37 kW	6419410481646	U3	0.6
KEM 380U Y/R ABS	100 A	80 A	63 A	30 kW	40 A	37 kW	6419410481684	U3	0.6
<b>4-pole</b>									
KEM 410U Y/R ABS	20 A	10 A	10 A	5.5 kW	10 A	7.5 kW	6419410481172	U2	0.5
KEM 416U Y/R ABS	25 A	16 A	16 A	7.5 kW	16 A	11 kW	6419410481196	U2	0.5
KEM 425U Y/R ABS	40 A	25 A	25 A	11 kW	25 A	22 kW	6419410481219	U2	0.5
KEM 440U Y/R ABS	63 A	40 A	32 A	15 kW	32 A	30 kW	6419410481233	U2	0.5
KEM 463U Y/R ABS	80 A	63 A	40 A	22 kW	40 A	37 kW	6419410481653	U3	0.7
KEM 480U Y/R ABS	100 A	80 A	63 A	30 kW	40 A	37 kW	6419410481691	U3	0.7