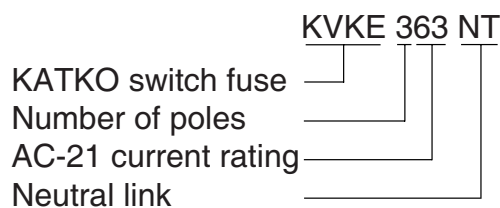


SWITCH FUSES 20-630 A TECHNICAL DATA FOR KVKE SERIES

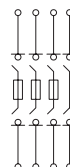
| Switch fuses | | 20A | 32A | 63A | 80A | 100A | 125A | 160A | 200A | 250A | 315A | 400A | 630A |
|---|-----------------------|--------|--------|-------|-------|-------|-------|-------|-------|-------|-------|-------|-------|
| Rated insulation voltage, U_i (V) | | 1000 | 1000 | 690 | 690 | 690 | 690 | 690 | 1000 | 1000 | 1000 | 1000 | 1000 |
| Rated thermal current, I_{th} (A) ¹⁾ | | 20 | 32 | 63 | 80 | 100 | 125 | 160 | 200 | 250 | 315 | 400 | 630 |
| Nominal values with cable size (mm ²) | | 4 | 6 | 16 | 25 | 35 | 50 | 70 | 95 | 120 | 185 | 240 | 2x185 |
| Rated operational current, I_e (A) | | | | | | | | | | | | | |
| AC-21 | 400/415V | 20 | 32 | 63 | 80 | 100 | 125 | 160 | 200 | 250 | 315 | 400 | 630 |
| | 500V | - | - | 63 | 80 | 100 | 125 | 160 | 200 | 250 | 315 | 400 | 630 |
| | 690V | - | - | 63 | 80 | 100 | 125 | 160 | 200 | 250 | 315 | 400 | 630 |
| AC-22 | 400/415V | 20 | 32 | 63 | 80 | 100 | 125 | 160 | 200 | 250 | 315 | 400 | 630 |
| | 500V | - | - | 63 | 80 | 100 | 125 | 160 | 200 | 250 | 315 | 400 | 630 |
| | 690V | - | - | 63 | 80 | 100 | 125 | 160 | 200 | 250 | 315 | 400 | 630 |
| AC-23 | 400/415V | 20 | 32 | 63 | 80 | 100 | 125 | 125 | 200 | 250 | 315 | 400 | 630 |
| | 500V | - | - | 63 | 80 | 100 | 125 | 125 | 200 | 250 | 315 | 400 | 500 |
| | 690V | - | - | 63 | 80 | 100 | 125 | 125 | 200 | 250 | 315 | 400 | 500 |
| Rated operational power for 3-phase (1500 r.p.m.) squirrel cage induction motors (kW) | | | | | | | | | | | | | |
| AC-23 | 400/415V | 10 | 15 | 30 | 45 | 55 | 55 | 55 | 110 | 132 | 160 | 200 | 355 |
| | 500V | - | - | 37 | 55 | 55 | 75 | 75 | 132 | 160 | 200 | 250 | 355 |
| | 690V | - | - | 55 | 75 | 90 | 110 | 110 | 160 | 250 | 315 | 355 | 500 |
| Rated fused short circuit current | | | | | | | | | | | | | |
| Back-up fuse (A) | | 32 | 32 | 63 | 80 | 100 | 125 | 160 | 200 | 250 | 400 | 400 | 630 |
| R.M.S. value, I_k (kA) | | 50 | 50 | 50 | 50 | 50 | 50 | 25 | 50 | 50 | 50 | 50 | 50 |
| Peak value (kA) | | - | - | 11 | 11 | 11 | 11 | 11 | 18 | 18 | 26 | 26 | 32 |
| Impulse withstand voltage, U_{imp} (kV) | | 8 | 8 | 8 | 8 | 8 | 8 | 8 | 12 | 12 | 8 | 8 | 8 |
| Rated short circuit making capacity, I_{cm} (kA) | | | | | | | | | | | | | |
| | | 690V | - | - | 6 | 6 | 6 | 6 | 7 | 7 | 12 | 12 | 17 |
| Rated short time withstand current (1 s), I_{cw} (kA) | | | | | | | | | | | | | |
| | | 690V | - | - | 4 | 4 | 4 | 4 | 4 | 5 | 5 | 7 | 10 |
| Rated breaking capacity, I_{cn} (A) | | | | | | | | | | | | | |
| AC-23 | 400/415V | 160 | 256 | 504 | 640 | 800 | 1000 | 1000 | 1600 | 2000 | 2520 | 3200 | 5040 |
| | 500V | - | - | 504 | 640 | 800 | 1000 | 1000 | 1600 | 2000 | 2520 | 3200 | 4000 |
| | 690V | - | - | 504 | 640 | 800 | 1000 | 1000 | 1600 | 2000 | 2520 | 3200 | 4000 |
| Electrical endurance (operations) | | 2000 | 2000 | 2000 | 2000 | 2000 | 2000 | 2000 | 2000 | 2000 | 2000 | 2000 | 2000 |
| Mechanical endurance (operations) | | 20000 | 20000 | 20000 | 20000 | 20000 | 20000 | 20000 | 16000 | 16000 | 10000 | 10000 | 10000 |
| Terminals / Bolt size Cu (mm ²) | | 2,5-35 | 2,5-35 | 6-70 | 6-70 | 6-70 | 6-70 | 6-70 | M10 | M10 | M10 | M10 | M12 |
| Max terminal torque (Nm) | | 2,2 | 2,2 | 6 | 6 | 6 | 6 | 6 | 30-44 | 30-44 | 30-44 | 30-44 | 50-75 |
| Fuse type | DIN | - | - | 00 | 00 | 00 | 00 | 00 | 1 | 1 | 2 | 2 | 3 |
| | BS88 | A1 | A1 | A2-A3 | A2-A3 | A2-A3 | A2-A3 | A2-A3 | B1-B2 | B1-B3 | B1-B4 | B1-B4 | B1-B4 |
| | - size of screws | M4 | M4 | M5 | M5 | M5 | M5 | M5 | M8 | M8 | M8 | M8 | M8 |
| | - fixing centres (mm) | 44,5 | 44,5 | 73 | 73 | 73 | 73 | 73 | 111 | 111 | 111 | 111 | 111 |
| | - torque (Nm) | 1,8 | 1,8 | 3 | 3 | 3 | 3 | 3 | 15 | 15 | 15 | 15 | 15 |

NEUTRAL LINKS FOR KVKE SWITCH FUSES

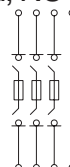
All KVKE switches are available with the neutral links specified below. Product code example:



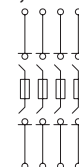
Switched neutral (all standard 4P switch fuses)



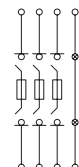
Solid neutral, NT
Uninsulated solid neutral, NU



Fused switched neutral, F



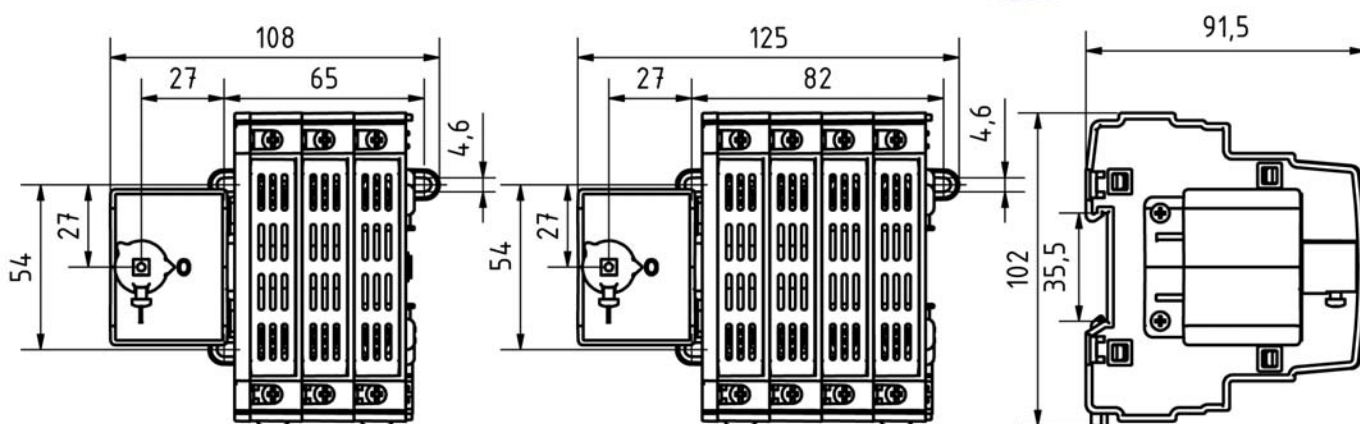
Detachable neutral, NL



¹⁾ KVKE 63-630A mounting in horizontal position:
Derating 0% in ventilated enclosure, ambient temperature $\leq 40^\circ\text{C}$
Derating 5% totally enclosed (KVKE 63-400A)
Derating 8% totally enclosed (KVKE 630A)

SWITCH FUSES 20-32 A KVKE SERIES

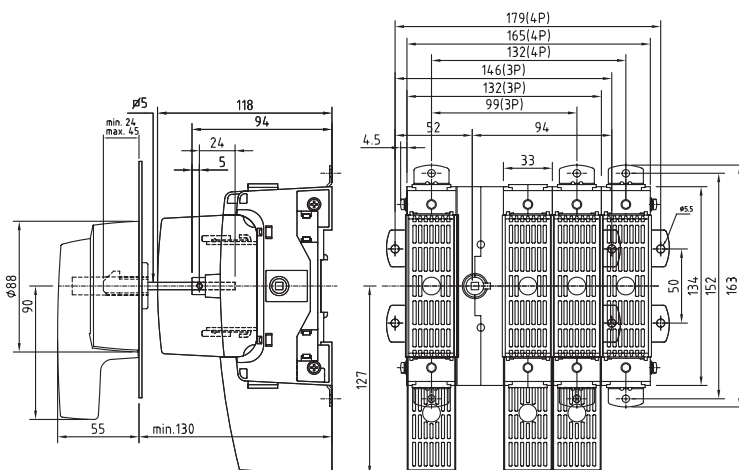
- Compact size saves space
- Early break auxiliary contacts are easy to install
- DIN rail or base mounted as standard
- Available as 3-pole and 4-pole version, 1-pole and 2-pole versions on request
- Connecting rivets with 350 µm silver alloy ensure a long life expectancy and safe operation in demanding conditions
- Handle LK10 and shaft L=180 mm included, suitable for 250 mm deep panel boards
- Fuse covers included
- IP66 handle, door interlocked in both "ON" and "padlocked OFF" position
- Black or yellow/red handle (add Y/R to description)



| Type | AC-21 | AC-22 | AC-23 | | EAN-Code | Weight kg |
|-------------------------|----------------|----------------|-----------|--------|---------------|--------------|
| | 400 V 415 V | 400 V 415 V | I_e / A | P / kW | | |
| DIN fuse version | | | | | | |
| 3-pole | | | | | | |
| KVKE 320 | 20 A | 20 A | 20 A | 10 kW | 6419410289006 | 0,55 |
| KVKE 332 | 32 A | 32 A | 32 A | 15 kW | 6419410289013 | 0,55 |
| 4-pole | | | | | | |
| KVKE 420 | 20 A | 20 A | 20 A | 10 kW | 6419410289020 | 0,68 |
| KVKE 432 | 32 A | 32 A | 32 A | 15 kW | 6419410289037 | 0,68 |
| BS fuse version | | | | | | |
| 3-pole | | | | | | |
| KVKE 320 BS | 20 A | 20 A | 20 A | 10 kW | 6419410285220 | 0,55 |
| KVKE 332 BS | 32 A | 32 A | 32 A | 15 kW | 6419410285244 | 0,55 |
| 4-pole | | | | | | |
| KVKE 420 BS | 20 A | 20 A | 20 A | 10 kW | 6419410285237 | 0,68 |
| KVKE 432 BS | 32 A | 32 A | 32 A | 15 kW | 6419410285251 | 0,68 |

SWITCH FUSES 63-160 A KVKE SERIES

- Four breaking points per phase
- Connecting silver rivets have a silver alloy 350 µm thick, thus ensuring a long life expectancy and safe use in demanding conditions
- Compact size saves space
- Modular structure enables position of drive mechanism to be varied
- Available as 1-, 2-, 3- and 4-pole
- Handle LK12 and shaft L=220 included
- Black or yellow/red handle (add Y/R to description)
- Auxiliary contacts are easy to install
- Accessories include terminal and fuse covers



LOAD BREAK SWITCHES AND SWITCH FUSES

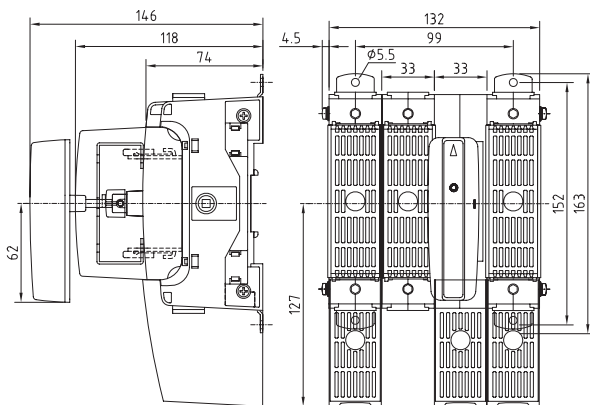
SWITCH FUSES 63-160 A KVKE SERIES

| Type | 400 V AC-21 415 V 690 V | 400 V AC-22 415 V 690 V | AC-23 | 400 V 415 V | AC-23 | 690 V | EAN-Code | Weight kg |
|-------------------------|-------------------------------|-------------------------------|--------------------|----------------|--------------------|--------|---------------|--------------|
| | I _e / A | I _e / A | I _e / A | P / kW | I _e / A | P / kW | | |
| DIN FUSE VERSION | | | | | | | | |
| 3-pole | | | | | | | | |
| KVKE 363 | 63 A | 63 A | 63 A | 30 kW | 63 A | 55 kW | 6419410286029 | 1,7 |
| KVKE 380 | 80 A | 80 A | 80 A | 45 kW | 80 A | 75 kW | 6419410286043 | 1,7 |
| KVKE 3100 | 100 A | 100 A | 100 A | 55 kW | 100 A | 90 kW | 6419410286067 | 1,7 |
| KVKE 3125 | 125 A | 125 A | 125 A | 55 kW | 125 A | 110 kW | 6419410286081 | 1,7 |
| KVKE 3160 | 160 A | 160 A | 125 A | 55 kW | 125 A | 110 kW | 6419410286104 | 1,7 |
| KVKE 363 NT | 63 A | 63 A | 63 A | 30 kW | 63 A | 55 kW | 6419410285640 | 2,0 |
| KVKE 380 NT | 80 A | 80 A | 80 A | 45 kW | 80 A | 75 kW | 6419410284377 | 2,0 |
| KVKE 3100 NT | 100 A | 100 A | 100 A | 55 kW | 100 A | 90 kW | 6419410284384 | 2,0 |
| KVKE 3125 NT | 125 A | 125 A | 125 A | 55 kW | 125 A | 110 kW | 6419410285657 | 2,0 |
| KVKE 3160 NT | 160 A | 160 A | 125 A | 55 kW | 125 A | 110 kW | 6419410285664 | 2,0 |
| KVKE 363 NL | 63 A | 63 A | 63 A | 30 kW | 63 A | 55 kW | 6419410285749 | 2,0 |
| KVKE 380 NL | 80 A | 80 A | 80 A | 45 kW | 80 A | 75 kW | 6419410284452 | 2,0 |
| KVKE 3100 NL | 100 A | 100 A | 100 A | 55 kW | 100 A | 90 kW | 6419410284469 | 2,0 |
| KVKE 3125 NL | 125 A | 125 A | 125 A | 55 kW | 125 A | 110 kW | 6419410285756 | 2,0 |
| KVKE 3160 NL | 160 A | 160 A | 125 A | 55 kW | 125 A | 110 kW | 6419410285763 | 2,0 |
| 4-pole | | | | | | | | |
| KVKE 463 | 63 A | 63 A | 63 A | 30 kW | 63 A | 55 kW | 6419410286128 | 2,0 |
| KVKE 480 | 80 A | 80 A | 80 A | 45 kW | 80 A | 75 kW | 6419410286142 | 2,0 |
| KVKE 4100 | 100 A | 100 A | 100 A | 55 kW | 100 A | 90 kW | 6419410286166 | 2,0 |
| KVKE 4125 | 125 A | 125 A | 125 A | 55 kW | 125 A | 110 kW | 6419410286180 | 2,0 |
| KVKE 4160 | 160 A | 160 A | 125 A | 55 kW | 125 A | 110 kW | 6419410286203 | 2,0 |
| KVKE 463 F | 63 A | 63 A | 63 A | 30 kW | 63 A | 55 kW | 6419410285541 | 2,0 |
| KVKE 480 F | 80 A | 80 A | 80 A | 45 kW | 80 A | 75 kW | 6419410284292 | 2,0 |
| KVKE 4100 F | 100 A | 100 A | 100 A | 55 kW | 100 A | 90 kW | 6419410284308 | 2,0 |
| KVKE 4125 F | 125 A | 125 A | 125 A | 55 kW | 125 A | 110 kW | 6419410285558 | 2,0 |
| KVKE 4160 F | 160 A | 160 A | 125 A | 55 kW | 125 A | 110 kW | 6419410285565 | 2,0 |
| BS FUSE VERSION | | | | | | | | |
| 3-pole | | | | | | | | |
| KVKE 363 BS | 63 A | 63 A | 63 A | 30 kW | 63 A | 55 kW | 6419410286227 | 1,7 |
| KVKE 380 BS | 80 A | 80 A | 80 A | 45 kW | 80 A | 75 kW | 6419410286241 | 1,7 |
| KVKE 3100 BS | 100 A | 100 A | 100 A | 55 kW | 100 A | 90 kW | 6419410286265 | 1,7 |
| KVKE 3125 BS | 125 A | 125 A | 125 A | 55 kW | 125 A | 110 kW | 6419410286289 | 1,7 |
| KVKE 3160 BS | 160 A | 160 A | 125 A | 55 kW | 125 A | 110 kW | 6419410285312 | 1,7 |
| KVKE 363 NT BS | 63 A | 63 A | 63 A | 30 kW | 63 A | 55 kW | 6419410285695 | 2,0 |
| KVKE 380 NT BS | 80 A | 80 A | 80 A | 45 kW | 80 A | 75 kW | 6419410284414 | 2,0 |
| KVKE 3100 NT BS | 100 A | 100 A | 100 A | 55 kW | 100 A | 90 kW | 6419410284421 | 2,0 |
| KVKE 3125 NT BS | 125 A | 125 A | 125 A | 55 kW | 125 A | 110 kW | 6419410285701 | 2,0 |
| KVKE 3160 NT BS | 160 A | 160 A | 125 A | 55 kW | 125 A | 110 kW | 6419410285718 | 2,0 |
| KVKE 363 NL BS | 63 A | 63 A | 63 A | 30 kW | 63 A | 55 kW | 6419410285794 | 2,0 |
| KVKE 380 NL BS | 80 A | 80 A | 80 A | 45 kW | 80 A | 75 kW | 6419410284490 | 2,0 |
| KVKE 3100 NL BS | 100 A | 100 A | 100 A | 55 kW | 100 A | 90 kW | 6419410284506 | 2,0 |
| KVKE 3125 NL BS | 125 A | 125 A | 125 A | 55 kW | 125 A | 110 kW | 6419410285800 | 2,0 |
| KVKE 3160 NL BS | 160 A | 160 A | 125 A | 55 kW | 125 A | 110 kW | 6419410285817 | 2,0 |
| 4-pole | | | | | | | | |
| KVKE 463 BS | 63 A | 63 A | 63 A | 30 kW | 63 A | 55 kW | 6419410286302 | 2,0 |
| KVKE 480 BS | 80 A | 80 A | 80 A | 45 kW | 80 A | 75 kW | 6419410286326 | 2,0 |
| KVKE 4100 BS | 100 A | 100 A | 100 A | 55 kW | 100 A | 90 kW | 6419410286340 | 2,0 |
| KVKE 4125 BS | 125 A | 125 A | 125 A | 55 kW | 125 A | 110 kW | 6419410286364 | 2,0 |
| KVKE 4160 BS | 160 A | 160 A | 125 A | 55 kW | 125 A | 110 kW | 6419410285350 | 2,0 |
| KVKE 463 F BS | 63 A | 63 A | 63 A | 30 kW | 63 A | 55 kW | 6419410285596 | 2,0 |
| KVKE 480 F BS | 80 A | 80 A | 80 A | 45 kW | 80 A | 75 kW | 6419410284339 | 2,0 |
| KVKE 4100 F BS | 100 A | 100 A | 100 A | 55 kW | 100 A | 90 kW | 6419410284346 | 2,0 |
| KVKE 4125 F BS | 125 A | 125 A | 125 A | 55 kW | 125 A | 110 kW | 6419410285602 | 2,0 |
| KVKE 4160 F BS | 160 A | 160 A | 125 A | 55 kW | 125 A | 110 kW | 6419410285619 | 2,0 |

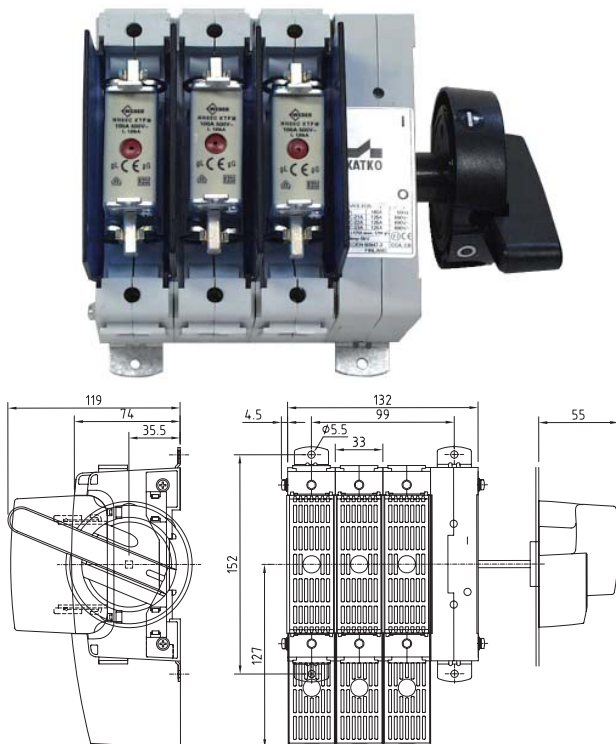
SWITCH FUSES 63-160 A OPERATION OPTIONS

SWITCH FUSE WITH DIRECT HANDLE

- Direct handle SV11 offers a higher level of safety
- Prevents fuse removal in ON-position
- Fuse covers included



SWITCH FUSE WITH SIDE-OPERATED HANDLE

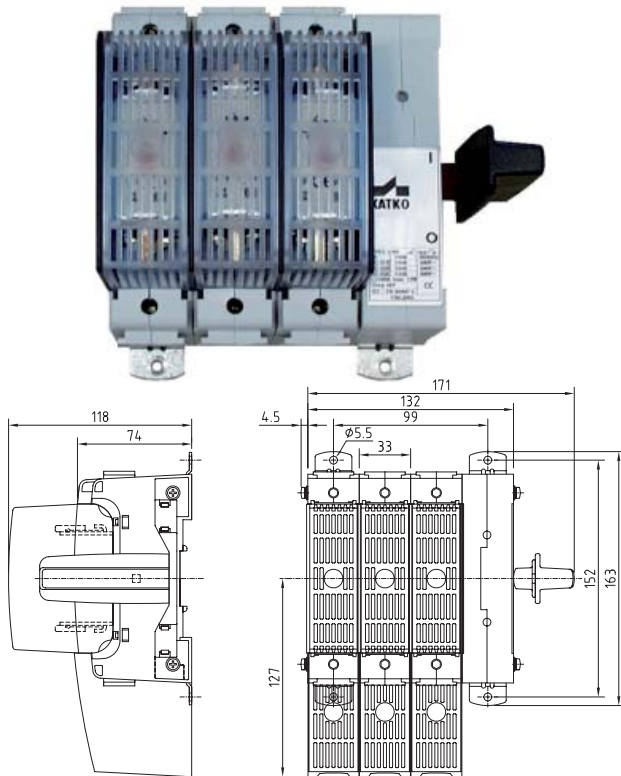


| Type | EAN-Code |
|-------------------------|---------------|
| DIN FUSE VERSION | |
| 3-pole | |
| KVKE 363+SV11 | 6419410287187 |
| KVKE 380+SV11 | 6419410285923 |
| KVKE 3100+SV11 | 6419410285930 |
| KVKE 3125+SV11 | 6419410287217 |
| KVKE 3160+SV11 | 6419410287224 |
| 4-pole | |
| KVKE 463+SV11 | 6419410287231 |
| KVKE 480+SV11 | 6419410285947 |
| KVKE 4100+SV11 | 6419410285954 |
| KVKE 4125+SV11 | 6419410287262 |
| KVKE 4160+SV11 | 6419410287279 |
| BS FUSE VERSION | |
| 3-pole | |
| KVKE 363+SV11 BS | 6419410285428 |
| KVKE 380+SV11 BS | 6419410285961 |
| KVKE 3100+SV11 BS | 6419410285978 |
| KVKE 3125+SV11 BS | 6419410285435 |
| KVKE 3160+SV11 BS | 6419410285442 |
| 4-pole | |
| KVKE 463+SV11 BS | 6419410285459 |
| KVKE 480+SV11 BS | 6419410285985 |
| KVKE 4100+SV11 BS | 6419410285992 |
| KVKE 4125+SV11 BS | 6419410285466 |
| KVKE 4160+SV11 BS | 6419410285473 |

| Type | EAN-Code |
|-------------------------|---------------|
| DIN FUSE VERSION | |
| 3-pole | |
| KVKS 363 | 6419410287132 |
| KVKS 380 | 6419410284056 |
| KVKS 3100 | 6419410284063 |
| KVKS 3125 | 6419410287163 |
| KVKS 3160 | 6419410287170 |
| 4-pole | |
| KVKS 463 | 6419410287385 |
| KVKS 480 | 6419410284070 |
| KVKS 4100 | 6419410284087 |
| KVKS 4125 | 6419410287415 |
| KVKS 4160 | 6419410287422 |
| BS FUSE VERSION | |
| 3-pole | |
| KVKS 363 BS | 6419410285480 |
| KVKS 380 BS | 6419410284094 |
| KVKS 3100 BS | 6419410284100 |
| KVKS 3125 BS | 6419410285497 |
| KVKS 3160 BS | 6419410285503 |
| 4-pole | |
| KVKS 463 BS | 6419410285510 |
| KVKS 480 BS | 6419410284117 |
| KVKS 4100 BS | 6419410284124 |
| KVKS 4125 BS | 6419410285527 |
| KVKS 4160 BS | 6419410285534 |

SWITCH FUSES 63-160 A OPERATION OPTIONS

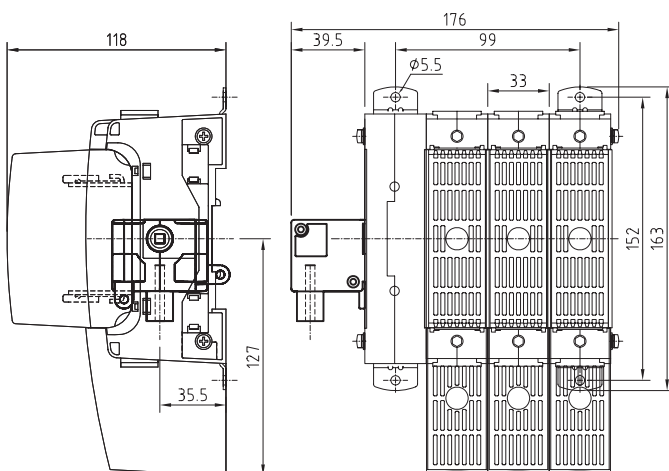
SIDE OPERATED SWITCH FUSE WITH DIRECT HANDLE



| Type | EAN-Code |
|------------------------|---------------|
| 3-pole | |
| KVKS 363/S | 6419410287538 |
| KVKS 380/S | 6419410284131 |
| KVKS 3100/S | 6419410284148 |
| KVKS 3125/S | 6419410287569 |
| KVKS 3160/S | 6419410287576 |
| 4-pole | |
| KVKS 463/S | 6419410287583 |
| KVKS 480/S | 6419410284155 |
| KVKS 4100/S | 6419410284162 |
| KVKS 4125/S | 6419410287613 |
| KVKS 4160/S | 6419410287620 |
| BS FUSE VERSION | |
| 3-pole | |
| KVKS 363/S BS | 6419410285367 |
| KVKS 380/S BS | 6419410284179 |
| KVKS 3100/S BS | 6419410284186 |
| KVKS 3125/S BS | 6419410285374 |
| KVKS 3160/S BS | 6419410285381 |
| 4-pole | |
| KVKS 463/S BS | 6419410285398 |
| KVKS 480/S BS | 6419410284193 |
| KVKS 4100/S BS | 6419410284209 |
| KVKS 4125/S BS | 6419410285404 |
| KVKS 4160/S BS | 6419410285411 |

OSM-MODULE (DRIVE DIRECTION ADAPTER)

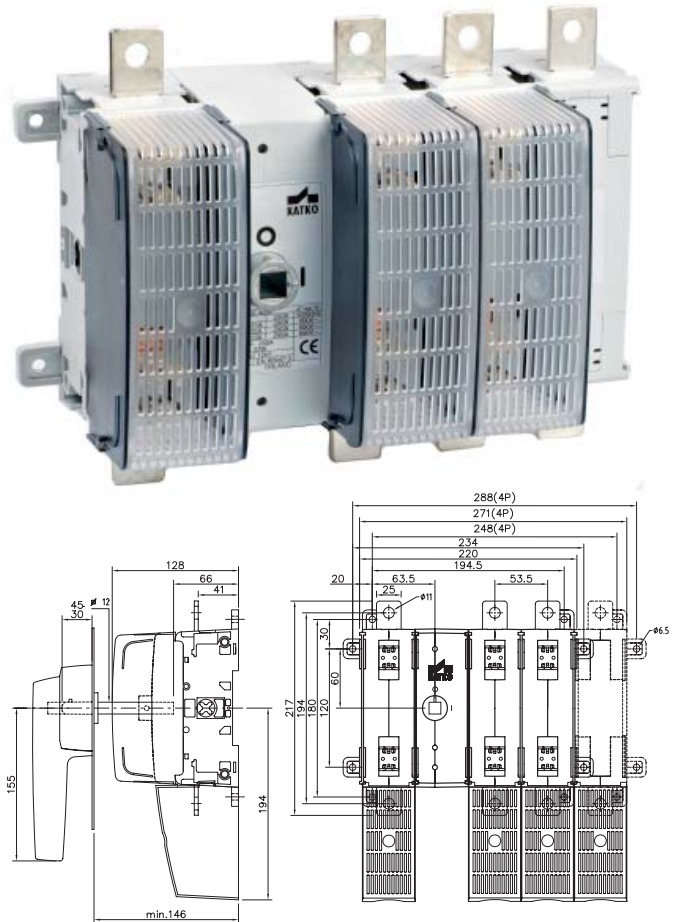
- Drive mechanism can be installed either horizontally or vertically



| Type | EAN-Code |
|-------------------------|---------------|
| DIN FUSE VERSION | |
| 3-pole | |
| KVKS 363/OSM | 6419410287880 |
| KVKS 380/OSM | 6419410284216 |
| KVKS 3100/OSM | 6419410284223 |
| KVKS 3125/OSM | 6419410287897 |
| KVKS 3160/OSM | 6419410287903 |
| 4-pole | |
| KVKS 463/OSM | 6419410287910 |
| KVKS 480/OSM | 6419410284230 |
| KVKS 4100/OSM | 6419410284247 |
| KVKS 4125/OSM | 6419410287927 |
| KVKS 4160/OSM | 6419410287934 |
| BS FUSE VERSION | |
| 3-pole | |
| KVKS 363/OSM BS | 6419410287941 |
| KVKS 380/OSM BS | 6419410284254 |
| KVKS 3100/OSM BS | 6419410284261 |
| KVKS 3125/OSM BS | 6419410287958 |
| KVKS 3160/OSM BS | 6419410287965 |
| 4-pole | |
| KVKS 463/OSM BS | 6419410287972 |
| KVKS 480/OSM BS | 6419410284278 |
| KVKS 4100/OSM BS | 6419410284285 |
| KVKS 4125/OSM BS | 6419410287989 |
| KVKS 4160/OSM BS | 6419410287996 |

SWITCH FUSES 200-250 A KVKE SERIES

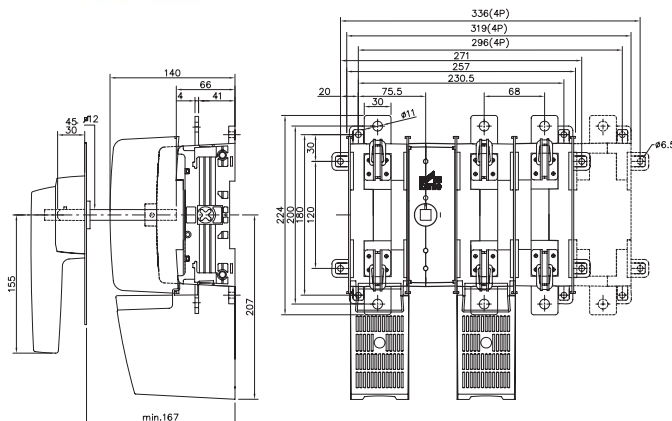
- Four breaking points per phase
- Connecting silver rivets have a silver alloy 350 µm thick, thus ensuring a long life expectancy and safe use in demanding conditions.
- Compact size saves space
- Modular structure enables position of drive mechanism to be varied
- Available as 1-, 2-, 3- and 6-pole
- Handle LK14 and shaft LVK=228 included
- Direct handle SV14 available
- Auxiliary contacts are easy to install
- Accessories include terminal and fuse covers
- DIN and BS fuse versions



| Type | 400 V | 400 V | AC-23 | 400 V | AC-23 | 690 V | EAN-Code | Weight kg |
|-------------------------|-----------|-----------|-----------|--------|-----------|--------|---------------|--------------|
| | AC-21 | AC-22 | | 415 V | | | | |
| | 415 V | 415 V | | 690 V | | | | |
| | I_e / A | I_e / A | I_e / A | P / kW | I_e / A | P / kW | | |
| DIN FUSE VERSION | | | | | | | | |
| 3-pole | | | | | | | | |
| KVKE 3200 | 200 A | 200 A | 200 A | 110 kW | 200 A | 160 kW | 6419410287682 | 4,0 |
| KVKE 3250 | 250 A | 250 A | 250 A | 132 kW | 250 A | 250 kW | 6419410287705 | 4,0 |
| KVKE 3200 NT | 200 A | 200 A | 200 A | 110 kW | 200 A | 160 kW | 6419410284391 | 4,7 |
| KVKE 3250 NT | 250 A | 250 A | 250 A | 132 kW | 250 A | 250 kW | 6419410285671 | 4,7 |
| KVKE 3200 NL | 200 A | 200 A | 200 A | 110 kW | 200 A | 160 kW | 6419410284476 | 4,7 |
| KVKE 3250 NL | 250 A | 250 A | 250 A | 132 kW | 250 A | 250 kW | 6419410285770 | 4,7 |
| 4-pole | | | | | | | | |
| KVKE 4200 | 200 A | 200 A | 200 A | 110 kW | 200 A | 160 kW | 6419410287699 | 4,7 |
| KVKE 4250 | 250 A | 250 A | 250 A | 132 kW | 250 A | 250 kW | 6419410287712 | 4,7 |
| KVKE 4200 F | 200 A | 200 A | 200 A | 110 kW | 200 A | 160 kW | 6419410284315 | 4,7 |
| KVKE 4250 F | 250 A | 250 A | 250 A | 132 kW | 250 A | 250 kW | 6419410285572 | 4,7 |
| BS FUSE VERSION | | | | | | | | |
| 3-pole | | | | | | | | |
| KVKE 3200 BS | 200 A | 200 A | 200 A | 110 kW | 200 A | 160 kW | 6419410287644 | 4,0 |
| KVKE 3250 BS | 250 A | 250 A | 250 A | 132 kW | 250 A | 250 kW | 6419410287651 | 4,0 |
| KVKE 3200 NT BS | 200 A | 200 A | 200 A | 110 kW | 200 A | 160 kW | 6419410284438 | 4,7 |
| KVKE 3250 NT BS | 250 A | 250 A | 250 A | 132 kW | 250 A | 250 kW | 6419410285725 | 4,7 |
| KVKE 3200 NL BS | 200 A | 200 A | 200 A | 110 kW | 200 A | 160 kW | 6419410284513 | 4,7 |
| KVKE 3250 NL BS | 250 A | 250 A | 250 A | 132 kW | 250 A | 250 kW | 6419410285824 | 4,7 |
| 4-pole | | | | | | | | |
| KVKE 4200 BS | 200 A | 200 A | 200 A | 110 kW | 200 A | 160 kW | 6419410287668 | 4,7 |
| KVKE 4250 BS | 250 A | 250 A | 250 A | 132 kW | 250 A | 250 kW | 6419410287675 | 4,7 |
| KVKE 4200 F BS | 200 A | 200 A | 200 A | 110 kW | 200 A | 160 kW | 6419410284353 | 4,7 |
| KVKE 4250 F BS | 250 A | 250 A | 250 A | 132 kW | 250 A | 250 kW | 6419410285626 | 4,7 |

SWITCH FUSES 315-400 A KVKE SERIES

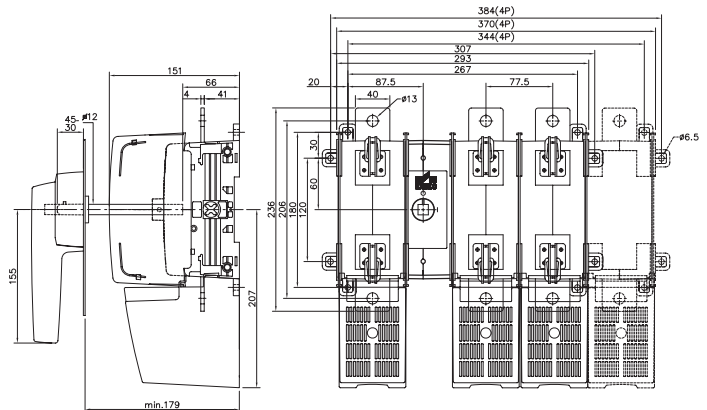
- Four breaking points per phase
- Connecting silver rivets have a silver alloy 350 µm thick, thus ensuring a long life expectancy and safe use in demanding conditions.
- Compact size saves space
- Modular structure enables position of drive mechanism to be varied
- Available as 1-, 2-, 3-, 4- and 6-pole
- Handle LK14 and shaft LVK=228 included
- Direct handle SV14 available
- Auxiliary contacts are easy to install
- Accessories include terminal and fuse covers
- DIN and BS fuse versions



| Type | 400 V AC-21 | 400 V AC-22 | AC-23 | 400 V AC-23 | AC-23 | EAN-Code | Weight kg |
|-------------------------|----------------|----------------|-----------|----------------|-----------|---------------|--------------|
| | 415 V 690 V | 415 V 690 V | | 415 V | | | |
| | I_e / A | I_e / A | I_e / A | P / kW | I_e / A | | |
| DIN FUSE VERSION | | | | | | | |
| 3-pole | | | | | | | |
| KVKE 3315 | 315 A | 315 A | 315 A | 160 kW | 315 A | 6419410284537 | 5,2 |
| KVKE 3400 | 400 A | 400 A | 400 A | 200 kW | 400 A | 6419410287835 | 5,2 |
| KVKE 3315 NT | 315 A | 315 A | 315 A | 160 kW | 315 A | 6419410284407 | 6,1 |
| KVKE 3400 NT | 400 A | 400 A | 400 A | 200 kW | 400 A | 6419410285688 | 6,1 |
| KVKE 3315 NL | 315 A | 315 A | 315 A | 160 kW | 315 A | 6419410284483 | 6,1 |
| KVKE 3400 NL | 400 A | 400 A | 400 A | 200 kW | 400 A | 6419410285787 | 6,1 |
| 4-pole | | | | | | | |
| KVKE 4315 | 315 A | 315 A | 315 A | 160 kW | 315 A | 6419410284544 | 6,1 |
| KVKE 4400 | 400 A | 400 A | 400 A | 200 kW | 400 A | 6419410287841 | 6,1 |
| KVKE 4315 F | 315 A | 315 A | 315 A | 160 kW | 315 A | 6419410284322 | 6,1 |
| KVKE 4400 F | 400 A | 400 A | 400 A | 200 kW | 400 A | 6419410285589 | 6,1 |
| BS FUSE VERSION | | | | | | | |
| 3-pole | | | | | | | |
| KVKE 3315 BS | 315 A | 315 A | 315 A | 160 kW | 315 A | 6419410284551 | 5,2 |
| KVKE 3400 BS | 400 A | 400 A | 400 A | 200 kW | 400 A | 6419410287941 | 5,2 |
| KVKE 3315 NT BS | 315 A | 315 A | 315 A | 160 kW | 315 A | 6419410284445 | 6,1 |
| KVKE 3400 NT BS | 400 A | 400 A | 400 A | 200 kW | 400 A | 6419410285732 | 6,1 |
| KVKE 3315 NL BS | 315 A | 315 A | 315 A | 160 kW | 315 A | 6419410284520 | 6,1 |
| KVKE 3400 NL BS | 400 A | 400 A | 400 A | 200 kW | 400 A | 6419410285831 | 6,1 |
| 4-pole | | | | | | | |
| KVKE 4315 BS | 315 A | 315 A | 315 A | 160 kW | 315 A | 6419410284568 | 6,1 |
| KVKE 4400 BS | 400 A | 400 A | 400 A | 200 kW | 400 A | 6419410287958 | 6,1 |
| KVKE 4315 F BS | 315 A | 315 A | 315 A | 160 kW | 315 A | 6419410284360 | 6,1 |
| KVKE 4400 F BS | 400 A | 400 A | 400 A | 200 kW | 400 A | 6419410285633 | 6,1 |

SWITCH FUSES 630 A KVKE SERIES

- Four breaking points per phase
- Connecting silver rivets have a silver alloy 350 µm thick, thus ensuring a long life expectancy and safe use in demanding conditions.
- Compact size saves space
- Modular structure enables position of drive mechanism to be varied
- Available as 1-, 2-, 3- and 6-pole
- Handle LK14 and shaft LVK=228 included
- Direct handle SV14 available
- Auxiliary contacts are easy to install
- Accessories include terminal and fuse covers
- DIN and BS fuse versions



| Type | 400 V | 400 V | AC-23 | 400 V | AC-23 | 690 V | EAN-Code | Weight kg |
|-------------------------|-----------|-----------|-----------|--------|-----------|--------|---------------|--------------|
| | AC-21 | 415 V | | AC-22 | | | | |
| | 690 V | 690 V | | 415 V | | | | |
| | I_e / A | I_e / A | I_e / A | P / kW | I_e / A | P / kW | | |
| DIN FUSE VERSION | | | | | | | | |
| 3-pole | | | | | | | | |
| KVKE 3630 | 630 A | 630 A | 630 A | 355 kW | 500 A | 500 kW | 6419410284759 | 6,2 |
| KVKE 3630 NT | 630 A | 630 A | 630 A | 355 kW | 500 A | 500 kW | 6419410284766 | 7,4 |
| KVKE 3630 NL | 630 A | 630 A | 630 A | 355 kW | 500 A | 500 kW | 6419410284773 | 7,4 |
| 4-pole | | | | | | | | |
| KVKE 4630 | 630 A | 630 A | 630 A | 355 kW | 500 A | 500 kW | 6419410284827 | 7,4 |
| KVKE 4630 F | 630 A | 630 A | 630 A | 355 kW | 500 A | 500 kW | 6419410284834 | 7,4 |
| BS FUSE VERSION | | | | | | | | |
| 3-pole | | | | | | | | |
| KVKE 3630 BS | 630 A | 630 A | 630 A | 355 kW | 500 A | 500 kW | 6419410284780 | 6,2 |
| KVKE 3630 NT BS | 630 A | 630 A | 630 A | 355 kW | 500 A | 500 kW | 6419410284797 | 7,4 |
| KVKE 3630 NL BS | 630 A | 630 A | 630 A | 355 kW | 500 A | 500 kW | 6419410284803 | 7,4 |
| 4-pole | | | | | | | | |
| KVKE 4630 BS | 630 A | 630 A | 630 A | 355 kW | 500 A | 500 kW | 6419410284735 | 7,4 |
| KVKE 4630 F BS | 630 A | 630 A | 630 A | 355 kW | 500 A | 500 kW | 6419410284919 | 7,4 |