

LOAD BREAK SWITCHES 16-250 A

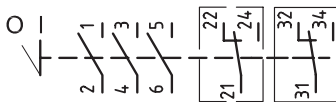
TECHNICAL DATA FOR KU, KUE, VKA AND EVA SERIES

Load Break Switches	16A	25A	40A	63A	80A	125A		160A	200A		250A		
	KU / KUE	KU / KUE	KU / KUE	KU / KUE	KU / KUE	KU / KUE	VKA / EVA	VKA / EVA	VKA	EVA	VKA	EVA	
Rated insulation voltage, U_i (V)	690	690	690	690	690	690	690	690	1000	690	1000	690	
Rated thermal current, I_{th} (A)	25	40	63	80	100	125	160	200	200	200	250	250	
Nominal values with cable size (mm ²)	4	10	16	25	35	50	70	95	95	95	120	120	
Rated operational current, I_e (A)													
AC-21	400/415V	25	40	63	80	100	125	160	200	200	200	250	250
	500V	25	40	63	80	100	125	160	200	200	-	250	-
	690V	25	40	63	80	100	125	160	200	200	-	250	-
AC-22	400/415V	16	25	40	63	80	125	160	200	200	200	250	250
	500V	16	25	40	63	80	80	125	160	-	-	-	-
	690V	16	25	40	63	80	80	125	160	-	-	-	-
AC-23	400/415V	16	25	40/25	40	63	63	100	135/125	200	160	250	200
	500V	16	25/20	32/20	40/32	40/32	40/32	80	125/105	-	-	-	-
	690V	16	25/20	32/20	40/32	40/32	40/32	80	125/105	-	-	-	-
Rated operational power for 3-phase (1500 r.p.m.) squirrel cage induction motors (kW)													
AC-23	400/415V	7.5	11	22/11	22	30	30	45	75	110	75	132	90
	500V	7.5	15/11	22/11	30/22	30/22	30/22	55	75	-	-	-	-
	690V	11	22/15	30/15	37/30	37/30	37/30	55	90	-	-	-	-
Rated fused short circuit current													
Back-up fuse (A)	63	63	63	80	80	125	160	160	250	250	250	250	
R.M.S. value, I_k (kA)	50	50	50	50	50	30	50	50	50	50	50	50	
Peak value (kA)	7.2	7.2	7.2	8.7	8.7	10	15	15	22	21	22	21	
Impulse withstand voltage, U_{imp} (kV)	8	8	8	8	8	8	8/6	8/6	8	6	8	6	
Rated short circuit making capacity, I_{cm} (kA)													
	690V	2.5	2.5	2.5	3.3	3.3	3.3	5.1	5.1	7*	7*	7*	7*
Rated short time withstand current (1 s), I_{cw} (kA)													
	690V	1.7	1.7	1.7	2.3	2.3	2.3	3.5	3.5	6*	6*	6*	6*
Rated breaking capacity, I_{cn} (A)													
AC-23	400/415V	128	200	320/200	320	504	504	800	1080	1600	1600	2000	1600
	500V	128	200/160	256/160	320/256	320/256	320	640	1000	-	-	-	-
	690V	128	200/160	256/160	320/256	320/256	320	640	1000	-	-	-	-
Electrical endurance (operations)	3000	3000	3000	3000	3000	3000	3000	2000	2000	2000	2000	2000	
Mechanical endurance (operations)	50000	50000	50000	50000	50000	50000	50000	16000	16000	16000	16000	16000	
Terminals / Bolt size Cu (mm ²)	1.5-16	1.5-16	1.5-16	2.5-35	2.5-35	2.5-35	6-70	6-70	M8	M8	M8	M8	
Max terminal torque (Nm)	1.8	1.8	1.8	2.5	2.5	2.5	6	6	15-22	15-22	15-22	15-22	

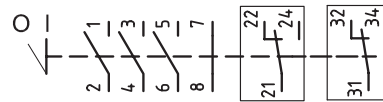
*415 V

KATKO SWITCH DIAGRAMS

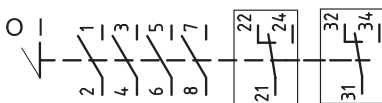
3-pole + 2NC/NO (Accessory)



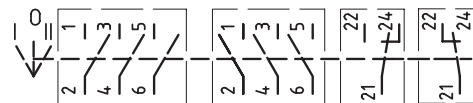
3-pole + NT + 2NC/NO (Accessory)



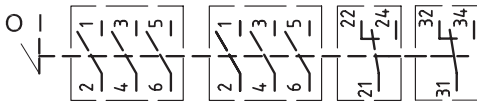
4-pole + 2NC/NO (Accessory)



Change-over 3-pole + 2NC/NO (Accessory)

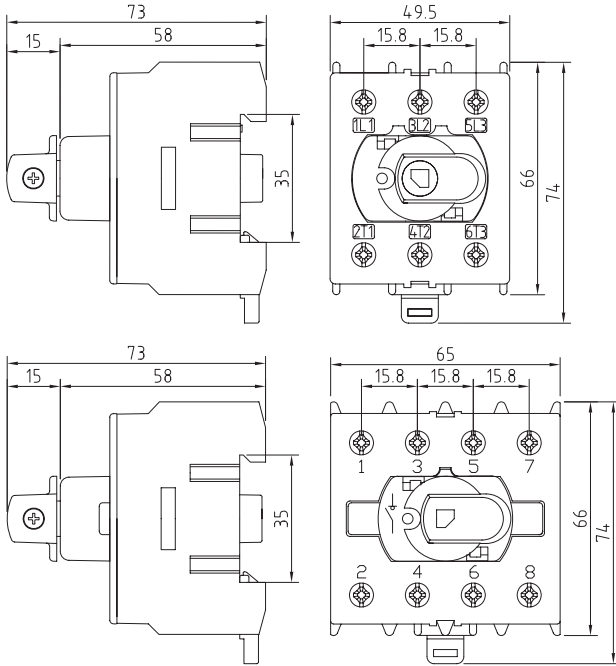


6-pole + 2NC/NO (Accessory)



LOAD BREAK SWITCHES 16-125 A ROTARY SWITCHES, KU SERIES

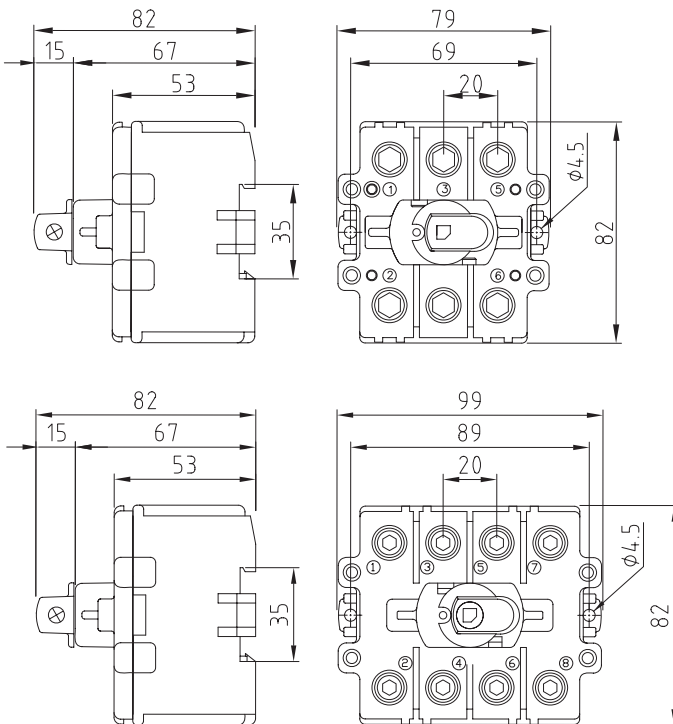
- Compact size
- DIN-rail mounting
- 3-pole and 4-pole KU-switches as standard
- 2-pole upon request
- 6-pole and 8-pole versions consist of two 3-pole or 4-pole KU-switches connected by a parallel kit
- Switch technology by means of silver contacts ensures safe and durable operation
- Compatible with handles LK10 and LK11
- Shafts L=100/200/300 AD11 and L=100/200/300 AD11/VT



Type	400 V AC-21 415 V 690 V	400 V AC-22 415 V ¹⁾ 690 V ²⁾	AC-23	400 V 415 V	AC-23	690 V	EAN-Code	Weight kg
	I _e / A	I _e / A	I _e / A	P / kW	I _e / A	P / kW		
3-pole								
KU 316N	25 A	16 A	16 A	7,5 kW	16 A	11 kW	6419410214305	0.19
KU 325N	40 A	25 A	25 A	11 kW	25 A	22 kW	6419410214404	0.19
KU 340N	63 A	40 A	40 A	22 kW	32 A	30 kW	6419410214503	0.19
KU 363N	80 A	63 A	40 A	22 kW	40 A	37 kW	6419410214602	0.2
KU 380N	100 A	80 A	63 A	30 kW	40 A	37 kW	6419410214701	0.2
KU 3125N	125 A	125 ¹⁾ / 80 ²⁾ A	63 A	30 kW	40 A	37 kW	6419410214824	0.2
4-pole								
KU 416N	25 A	16 A	16 A	7,5 kW	16 A	11 kW	6419410215005	0.23
KU 425N	40 A	25 A	25 A	11 kW	25 A	22 kW	6419410215203	0.23
KU 440N	63 A	40 A	40 A	22 kW	32 A	30 kW	6419410215500	0.23
KU 463N	80 A	63 A	40 A	22 kW	40 A	37 kW	6419410215906	0.25
KU 480N	100 A	80 A	63 A	30 kW	40 A	37 kW	6419410216002	0.25
KU 4125N	125 A	125 ¹⁾ / 80 ²⁾ A	63 A	30 kW	40 A	37 kW	6419410216125	0.25

LOAD BREAK SWITCHES 125-160 A ROTARY SWITCHES, VKA SERIES

- Compact size
- 3-pole and 4-pole VKA-switches as standard
- 2-pole upon request
- 6-pole and 8-pole versions consist of two 3-pole or 4-pole VKA-switches connected by a parallel kit
- Switch technology by means of silver contacts ensures safe and durable operation
- Compatible with handles LK10 and LK11
- Shafts L=100/200 AD11 and L=100/200/300 AD11/VT

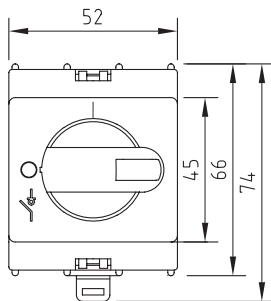


Type	AC-21	AC-22	AC-23	AC-23	AC-23	EAN-Code	Weight kg
	400 V 415 V 690 V	400 V 415 V 690 V	400 V 415 V	400 V 415 V	690 V P / kW		
	I_e / A	I_e / A	I_e / A	P / kW	I_e / A	P / kW	
3-pole							
VKA 3125N	160 A	125 A	100 A	45 kW	80 A	55 kW	6419410217504 0.51
VKA 3160N	200 A	160 A	135 A	75 kW	125 A	90 kW	6419410218600 0.51
4-pole							
VKA 4125N	160 A	125 A	100 A	45 kW	80 A	55 kW	6419410218006 0.66
VKA 4160N	200 A	160 A	135 A	75 kW	125 A	90 kW	6419410219102 0.66

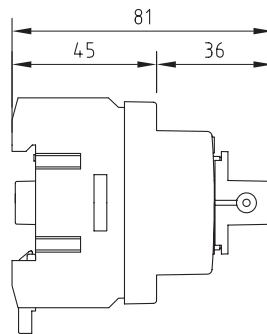
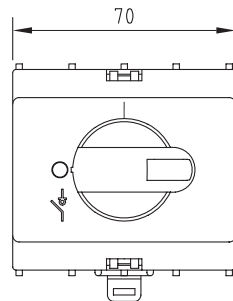
LOAD BREAK SWITCHES 16-160 A FRONT PLATES FOR KU AND VKA

- Front plates for KU and VKA switches with direct handle
- Available with grey front plate and black handle, or yellow front plate and red handle (Y/R)

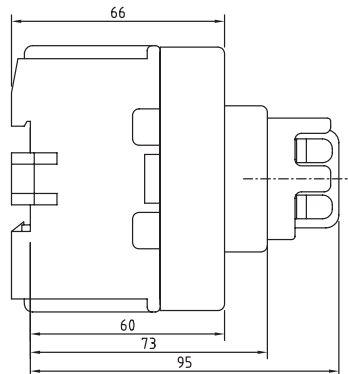
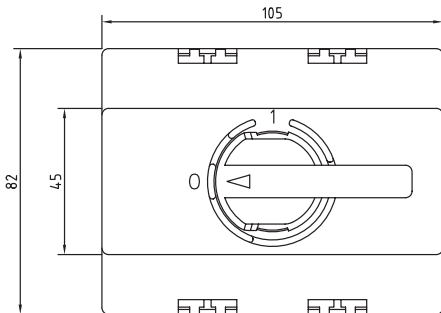
K/KU 3P:



K/KU 4P:



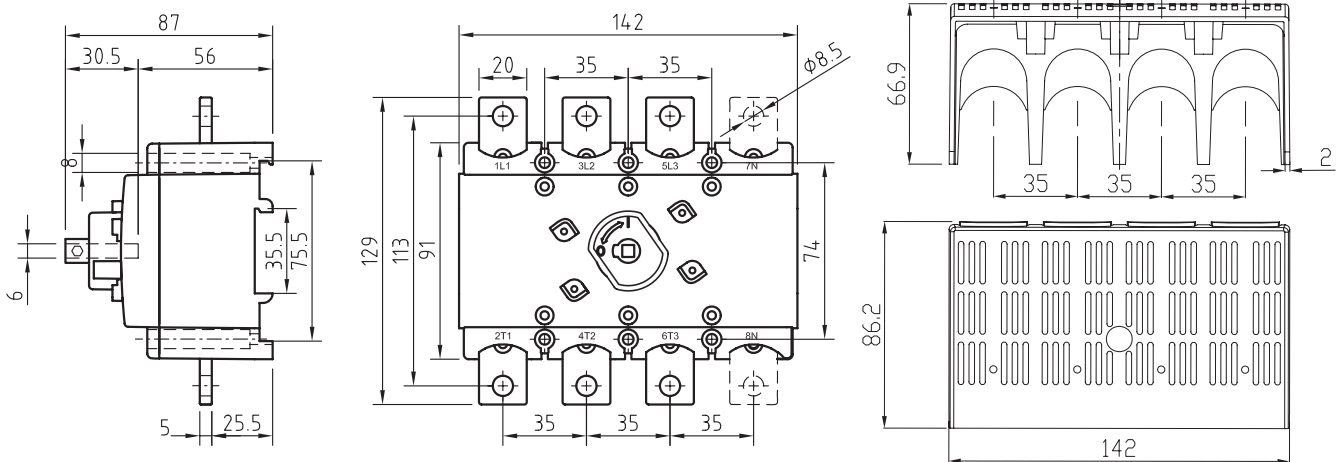
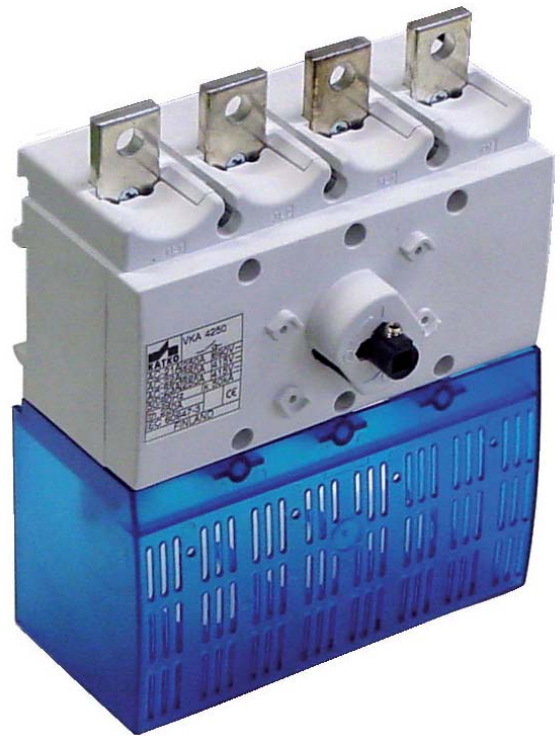
K/VKA 3-4P:



Type	For	Description	EAN-code
K/KU 3P	KU 3P	Grey plate, black direct handle	6419410221600
K/KU 4P	KU 4P	Grey plate, black direct handle	6419410222805
K/KU 3P Y/R	KU 3P	Yellow plate, red direct handle	6419410221617
K/KU 4P Y/R	KU 4P	Yellow plate, red direct handle	6419410222812
K/VKA 3P-4P	VKA 3-4P	Grey plate, black direct handle	6419410218709
K/VKA 3P-4P Y/R	VKA 3-4P	Yellow plate, red direct handle	6419410218808

LOAD BREAK SWITCHES 200-250 A ROTARY SWITCHES, VKA SERIES

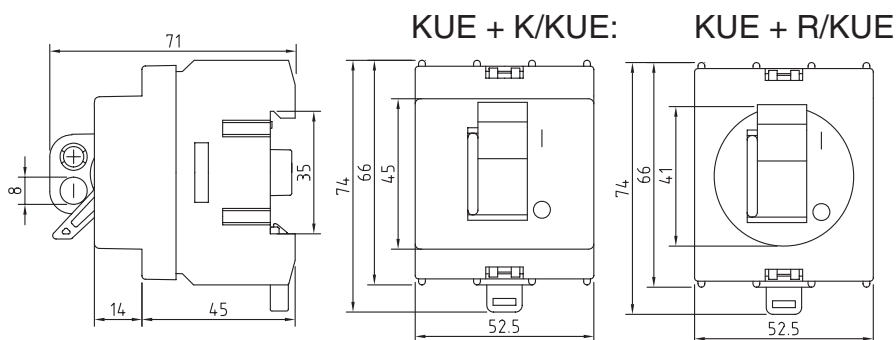
- Compact size saves space
- Early break auxiliary contacts are easy to install, max available 2x1NC/NO (change-over contact)
- Available as 3-pole and 4-pole version
- Terminal covers LS/VKAC and phase barriers VS/VKAC enable safe use
- Connecting rivets with 350 µm silver alloy ensure a long life expectancy and safe operation in demanding conditions
- Handle LK12 and shaft L=228 mm included, suitable for 250 mm deep panel boards



Type	AC-21 400 V 415 V	AC-21 690 V	AC-22 400 V 415 V	AC-23 400 V 415 V	EAN-Code	Weight kg
	I _e / A	I _e / A	I _e / A	I _e / A P / kW		
3-pole						
VKA 3200	200 A	200 A	200 A	200 A	6419410218020	1.4
VKA 3250	250 A	250 A	250 A	250 A	6419410218044	1.4
VKA 3200 LS/VS	200 A	200 A	200 A	200 A	6419410218037	1.5
VKA 3250 LS/VS	250 A	250 A	250 A	250 A	6419410218051	1.5
4-pole						
VKA 4200	200 A	200 A	200 A	200 A	6419410219126	1.6
VKA 4250	250 A	250 A	250 A	250 A	6419410219140	1.6
VKA 4200 LS/VS	200 A	200 A	200 A	200 A	6419410219133	1.7
VKA 4250 LS/VS	250 A	250 A	250 A	250 A	6419410219157	1.7

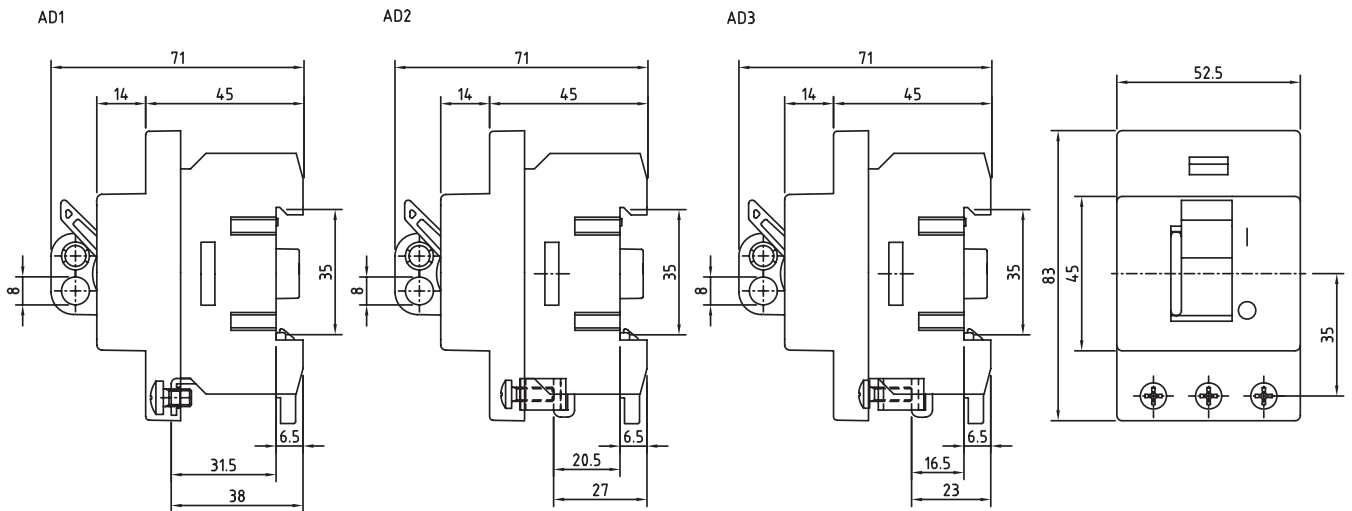
LOAD BREAK SWITCHES 16-125 A TOGGLE SWITCHES, KUE SERIES

- Compact size
- DIN-rail mounting
- 3-pole
- Switch technology by means of silver contacts ensures safe and durable operation
- Available with adapter to connect the switch to a three-phase section rail. Three different connections heights (see next page for dimensions)
- Available with yellow front plate and red toggle: Add Y/R at the end of the product type when ordering



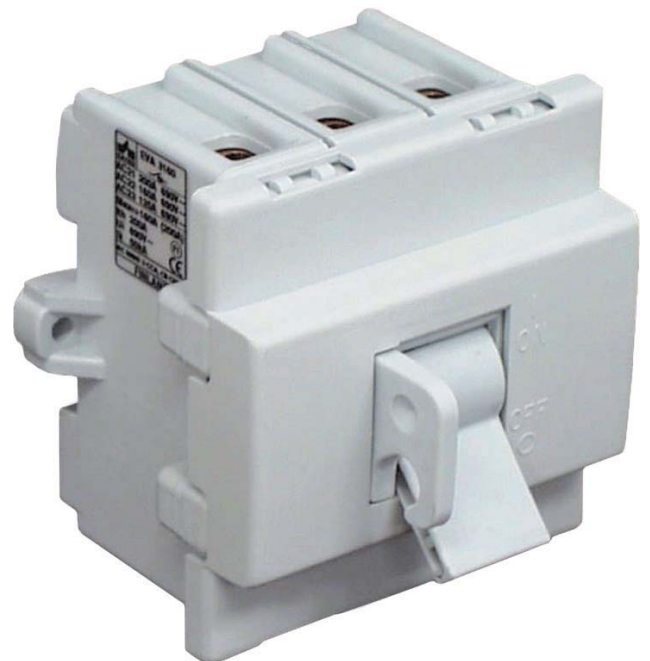
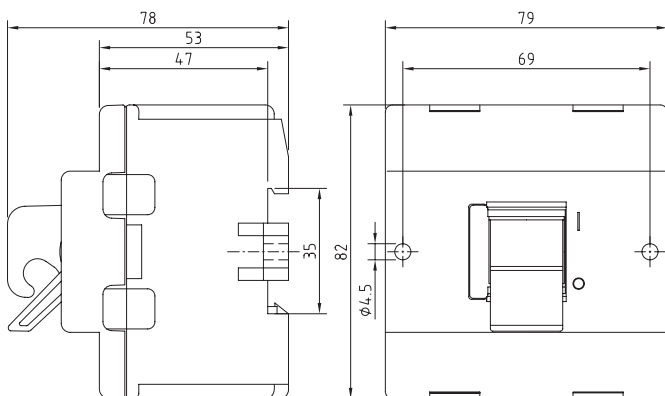
Type	400 V AC-21 415 V 690 V		400 V AC-22 415 V ¹⁾ 690 V ²⁾		400 V AC-23 415 V		AC-23 690 V		EAN-Code	Weight kg
	I _e / A	I _e / A	I _e / A	P / kW	I _e / A	P / kW				
KUE 316	25 A	16 A	16 A	7,5 kW	16 A	11 kW	6419410200308	0.17		
KUE 325	40 A	25 A	25 A	11 kW	20 A	15 kW	6419410200407	0.17		
KUE 340	63 A	40 A	25 A	11 kW	20 A	15 kW	6419410200506	0.17		
KUE 363	80 A	63 A	40 A	22 kW	32 A	30 kW	6419410200605	0.18		
KUE 380	100 A	80 A	63 A	30 kW	32 A	30 kW	6419410200704	0.18		
KUE 3125	125 A	125 ¹⁾ / 80 ²⁾ A	63 A	30 kW	32 A	30 kW	6419410200902	0.18		
KUE 316 + AD1 + K/KUE	25 A	16 A	16 A	7,5 kW	16 A	11 kW	6419410200322	0.21		
KUE 325 + AD1 + K/KUE	40 A	25 A	25 A	11 kW	20 A	15 kW	6419410200421	0.21		
KUE 340 + AD1 + K/KUE	63 A	40 A	25 A	11 kW	20 A	15 kW	6419410200520	0.21		
KUE 363 + AD1 + K/KUE	80 A	63 A	40 A	22 kW	32 A	30 kW	6419410200629	0.22		
KUE 380 + AD1 + K/KUE	100 A	80 A	63 A	30 kW	32 A	30 kW	6419410200728	0.22		
KUE 3125 + AD1 + K/KUE	125 A	125 ¹⁾ / 80 ²⁾ A	63 A	30 kW	32 A	30 kW	6419410200834	0.22		
KUE 316 + AD2 + K/KUE	25 A	16 A	16 A	7,5 kW	16 A	11 kW	6419410200339	0.21		
KUE 325 + AD2 + K/KUE	40 A	25 A	25 A	11 kW	20 A	15 kW	6419410200438	0.21		
KUE 340 + AD2 + K/KUE	63 A	40 A	25 A	11 kW	20 A	15 kW	6419410200537	0.21		
KUE 363 + AD2 + K/KUE	80 A	63 A	40 A	22 kW	32 A	30 kW	6419410200636	0.22		
KUE 380 + AD2 + K/KUE	100 A	80 A	63 A	30 kW	32 A	30 kW	6419410200735	0.22		
KUE 3125 + AD2 + K/KUE	125 A	125 ¹⁾ / 80 ²⁾ A	63 A	30 kW	32 A	30 kW	6419410200841	0.22		
KUE 316 + AD3 + K/KUE	25 A	16 A	16 A	7,5 kW	16 A	11 kW	6416410200346	0.21		
KUE 325 + AD3 + K/KUE	40 A	25 A	25 A	11 kW	20 A	15 kW	6419410200445	0.21		
KUE 340 + AD3 + K/KUE	63 A	40 A	25 A	11 kW	20 A	15 kW	6419410200810	0.21		
KUE 363 + AD3 + K/KUE	80 A	63 A	40 A	22 kW	32 A	30 kW	6419410200643	0.22		
KUE 380 + AD3 + K/KUE	100 A	80 A	63 A	30 kW	32 A	30 kW	6419410200827	0.22		
KUE 3125 + AD3 + K/KUE	125 A	125 ¹⁾ / 80 ²⁾ A	63 A	30 kW	32 A	30 kW	6419410200858	0.22		
ADDITIONAL FRONT PLATES										
K/KUE	Rectangular front plate							6419410221808	0.02	
R/KUE	Round front plate							6419410221907	0.02	
K/KUE AD	Long front plate							6419410221815	0.02	

TOGGLE SWITCHES, KUE SERIES ADAPTER DIMENSIONS



LOAD BREAK SWITCHES 125-160 A TOGGLE SWITCHES, EVA SERIES

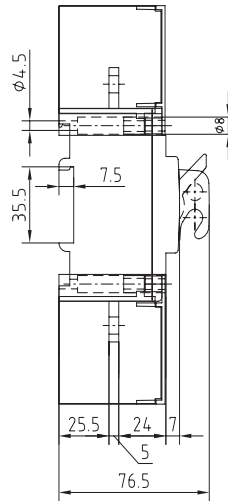
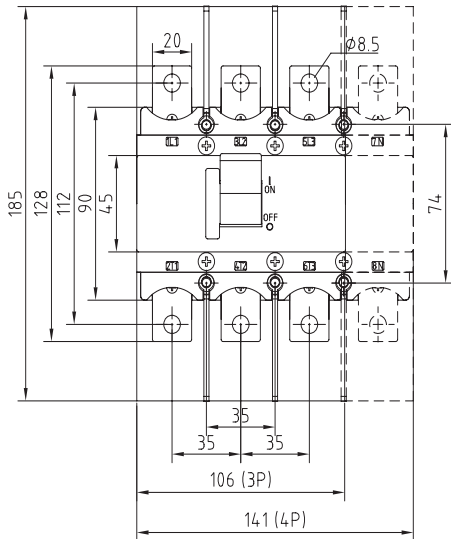
- Compact size
- 3-pole
- Switch technology by means of silver contacts ensures safe and durable operation
- Includes front plate K/EVA
- Available with red toggle (R) or with yellow front plate and red toggle (Y/R)



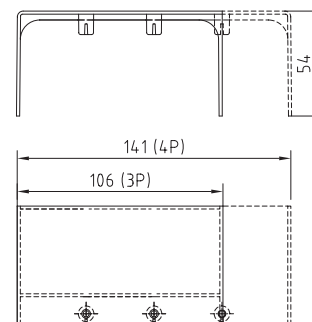
Type	400 V AC-21 415 V 690 V	400 V AC-22 415 V 690 V	AC-23	400 V 415 V	AC-23	690 V	EAN-Code	Weight kg
	I_e / A	I_e / A	I_e / A	P / kW	I_e / A	P / kW		
EVA 3125+K/EVA	160 A	125 A	100 A	45 kW	80 A	55 kW	6419410202517	0.51
EVA 3160+K/EVA	200 A	160 A	125 A	75 kW	125 A	90 kW	6419410203019	0.51
EVA 3125+K/EVA R	160 A	125 A	100 A	45 kW	80 A	55 kW	6419410202524	0.51
EVA 3160+K/EVA R	200 A	160 A	125 A	75 kW	125 A	90 kW	6419410203026	0.51
EVA 3125+K/EVA Y/R	160 A	125 A	100 A	45 kW	80 A	55 kW	6419410202531	0.51
EVA 3160+K/EVA Y/R	200 A	160 A	125 A	75 kW	125 A	90 kW	6419410203033	0.51

LOAD BREAK SWITCHES 200-250 A TOGGLE SWITCHES, EVA SERIES

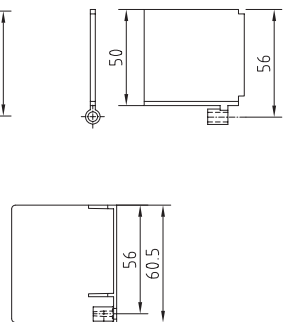
- Compact size
- 3-pole and 4-pole
- Switch technology by means of silver contacts ensures a long life expectancy and safe use in demanding conditions
- Available with terminal covers and phase barriers (LS/VS)
- Available with red toggle (R)



Terminal cover



Phase barrier



Type	AC-21	AC-22	AC-23	EAN-Code	Weight kg
	400 V 415 V I_e / A	400 V 415 V I_e / A	400 V 415 V I_e / A P / kW		
3-pole					
EVA 3200	200 A	200 A	160 A	6419410203156	0.9
EVA 3250	250 A	250 A	200 A	6419410203200	0.9
EVA 3200 R	200 A	200 A	160 A	6419410203163	0.9
EVA 3250 R	250 A	250 A	200 A	6419410203217	0.9
EVA 3200 LS/VS	200 A	200 A	160 A	6419410203170	0.9
EVA 3250 LS/VS	250 A	250 A	200 A	6419410203224	0.9
EVA 3200 R LS/VS	200 A	200 A	160 A	6419410203187	0.9
EVA 3250 R LS/VS	250 A	250 A	200 A	6419410203321	0.9
4-pole					
EVA 4200	200 A	200 A	160 A	6419410203262	1.1
EVA 4250	250 A	250 A	200 A	6419410203309	1.1
EVA 4200 R	200 A	200 A	160 A	6419410203279	1.1
EVA 4250 R	250 A	250 A	200 A	6419410203316	1.1
EVA 4200 LS/VS	200 A	200 A	160 A	6419410203286	1.2
EVA 4250 LS/VS	250 A	250 A	200 A	6419410203323	1.2
EVA 4200 R LS/VS	200 A	200 A	160 A	6419410203293	1.2
EVA 4250 R LS/VS	250 A	250 A	200 A	6419410203330	1.2

LOAD BREAK SWITCHES 16-250 A ACCESSORIES FOR KU, VKA, KUE AND EVA SERIES

Type	For	Description	EAN-code	Page
Handles				
LK10	KU,	Black	6419410222539	44
LK10 Y/R		Yellow/red	6419410222553	
LK11	VKA 125-160 A	Black	6419410222607	
LK11 Y/R		Yellow/red	6419410222614	
LK12	VKA 200-250 A	Black	6419410222683	
LK12 Y/R		Yellow/red	6419410222690	
Shafts				
L=100 AD11	Handles	Length 100 mm, aluminium	6419410253106	45
L=200 AD11		Length 200 mm, aluminium	6419410253113	
L=300 AD11		Length 300 mm, aluminium	6419410253120	
L=100 AD11/VT		Length 100 mm, steel, slanted	6419410253168	
L=200 AD11/VT		Length 200 mm, steel, slanted	6419410253175	
L=300 AD11/VT		Length 300 mm, steel, slanted	6419410253182	
Parallel kits				
RV 52S	KU	For 2 x KU 3P	6419410226223	48
RV 66		For 2 x KU 3P	6419410226285	
RV 66S		For 2 x KU 3P	6419410226261	
RV 80	KU, VKA	For 2 x KU 4P / 2 x VKA 3P	6419410226308	
RV 80S		For 2 x KU 4P / 2 x VKA 3P	6419410226292	
RV 104	VKA 125-160 A	For 2 x (VKA 3P+ALK 3160) / 2 x VKA 4P	6419410226322	
RV 104S		For 2 x (VKA 3P+ALK 3160) / 2 x VKA 4P	6419410226315	
RV 126		For 2 x (VKA 4P+ALK 4160)	6419410226346	
RV 126S		For 2 x (VKA 4P+ALK 4160)	6419410226339	
RV 143S/6	200-250 A	For 2 x VKA 3P	6419410226353	
Cable connectors				
KKL 1x50	63-160 A	Al 16-50 mm, Cu 2.5-50 mm	6419410358108	49
Contact protections				
KU 0.V	KU	For 3/4P switch	6419410300404	
VKA 0.V	VKA	For 3/4P switch	6419410300503	
KKS/VKA 3P		For 3P switch	6419410225509	
Auxiliary contacts				
KU1.V	KU	1NO+1NC	6419410300008	46
KU2.V		2NO+2NC	6419410300107	
OKA 1.V		1NO+1NC with door mounting kit, black	6419410224052	
OKA 1.V Y/R		1NO+1NC with door mounting kit, yellow/red	6419410224403	
OKA 2.V		2NO+2NC with door mounting kit, black	6419410224205	
OKA 2.V Y/R		2NO+2NC with door mounting kit, yellow/red	6419410224502	
VKA 1.V	VKA 125-160 A	1NO+1NC	6419410300206	
VKA 2.V		2NO+2NC	6419410300305	
VKAC 1.V	VKA 200-250 A	1NO+1NC	6419410300800	
VKAC 2.V		2NO+2NC	6419410300909	
OKA/VKA1.V	VKA 125-160 A	1NO+1NC with door mounting kit, black	6419410224632	
OKA/VKA1.V Y/R		1NO+1NC with door mounting kit, yellow/red	6419410224649	
OKA/VKA2.V		2NO+2NC with door mounting kit, black	6419410224625	
OKA/VKA2.V Y/R		2NO+2NC with door mounting kit, yellow/red	6419410224694	
Spreaders				
ALK 3160	VKA, EVA 125-160 A	For 3P switch	6419410225301	46
ALK 4160		For 4P switch	6419410225400	

LOAD BREAK SWITCHES 16-250 A ACCESSORIES FOR KU, VKA, KUE AND EVA SERIES

Type	For	Description	EAN-code	Page
Screw fixing adaptors for DIN rail				
RKA-3P	KU	For 3P switch	6419410222003	
RKA-4P		For 4P switch	6419410222706	
Door mounting kits				
OKA/KU/LK10	KU	Black, for 3P switch, with LK10 handle	6419410224656	48
OKA/KU/LK10 Y/R		Yellow/red, for 3P switch, with LK10 handle	6419410224663	
OKA/KU4P/LK10		Black, for 4P switch, with LK10 handle	6419410224700	
OKA/KU4P/LK10 Y/R		Yellow/red, for 4P switch, with LK10 handle	6419410224717	
OKA/VKA	VKA	Black, with LK11 handle	6419410224601	47
OKA/VKA Y/R		Yellow/red, with LK11 handle	6419410224618	
OKA/VKA/LK10		Black, with LK10 handle	6419410224670	
OKA/VKA/LK10 Y/R		Yellow/red, with LK10 handle	6419410224687	
Change over kits				
KU3/4P VV	KU	Positions 1, 0, 2, black handle	6419410221624	47
KU3/4P VV Y/R		Positions 1, 0, 2, red handle	6419410221631	
VV 1-2	VKA	No 0-position	6419410226506	47
VV 1-0-2		Positions 1, 0, 2	6419410226407	
VV.1-0-2/K		Positions 1, 0, 2 with supporting steel	6419410226421	
VV.1-0-2/LK12		Positions 1, 0, 2 with LK12 handle	6419410226605	

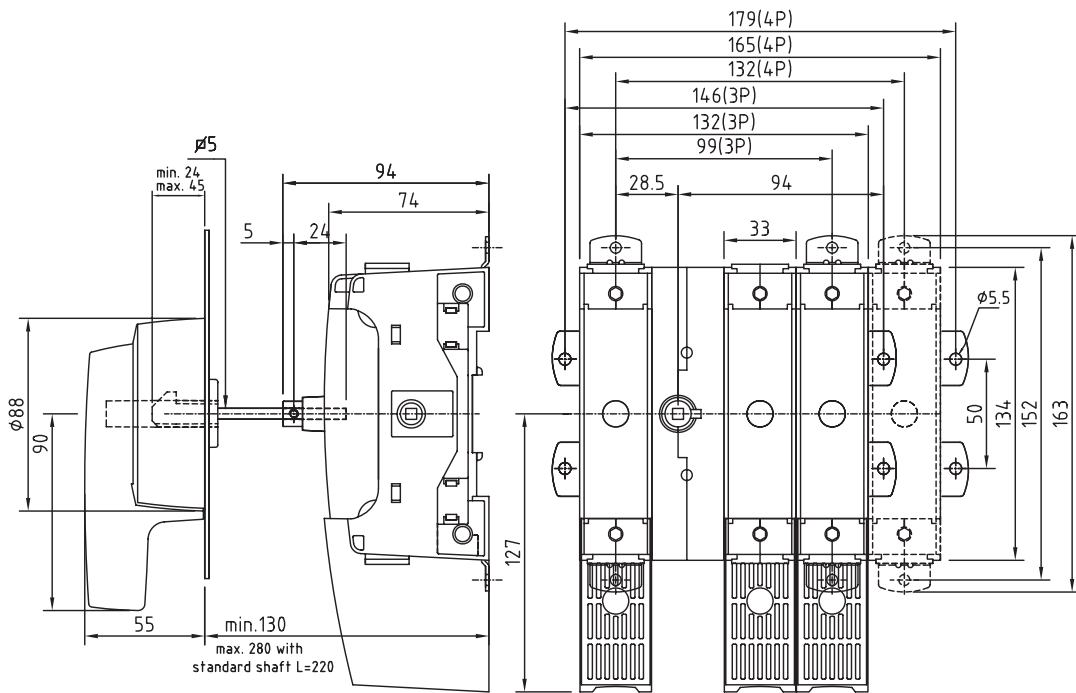


LOAD BREAK SWITCHES 125-630 A TECHNICAL DATA FOR VKE SERIES

Load Break Switches		125 A	160 A	200 A	250 A	315 A	400 A	630 A
Rated insulation voltage, U_i (V)		690	690	1000	1000	1000	1000	1000
Rated thermal current, I_{th} (A)		160	160	200	250	315	400	630
Nominal values with cable size (mm ²)		70	70	95	120	185	240	2x185
Rated operational current, I_b (A)								
AC-21	400/415V	160	160	200	250	315	400	630
	500V	160	160	200	250	315	400	630
	690V	160	160	200	250	315	400	630
AC-22	400/415V	125	160	200	250	315	400	630
	500V	125	160	200	250	315	400	630
	690V	125	160	200	250	315	400	630
AC-23	400/415V	125	125	200	250	315	400	630
	500V	125	125	200	250	315	400	500
	690V	125	125	200	250	315	400	500
Rated operational power for 3-phase (1500 r.p.m.) squirrel cage induction motors (kW)								
AC-23	400/415V	55	55	110	132	160	200	355
	500V	75	75	132	160	200	250	355
	690V	90	90	160	250	315	355	500
Rated fused short circuit current								
Back-up fuse (A)		125	160	250	250	400	400	630
R.M.S. value, I_k (kA)		50	25	50	50	50	50	50
Peak value (kA)		11	11	18	18	26	26	32
Impulse withstand voltage, U_{imp} (kV)		8	8	8	8	8	8	8
Rated short circuit making capacity, I_{cm} (kA)								
	690V	6	6	7	7	12	12	17
Rated short time withstand current (1 s), I_{cw} (kA)								
	690V	4	4	5	5	7	7	10
Rated breaking capacity, I_{cn} (A)								
AC-23	400/415V	1000	1000	1600	2000	2520	3200	5040
	500V	1000	1000	1600	2000	2520	3200	4000
	690V	1000	1000	1600	2000	2520	3200	4000
Electrical endurance (number of operations)		2000	2000	2000	2000	2000	2000	2000
Mechanical endurance (number of operations)		16000	16000	16000	16000	1000	10000	10000
Terminals / Bolt size Cu (mm ²)		6-70	6-70	M10	M10	M10	M10	M12
Max terminal torque (Nm)		6	6	30-44	30-44	30-44	30-44	50-75

LOAD BREAK SWITCHES 125-160 A VKE SERIES

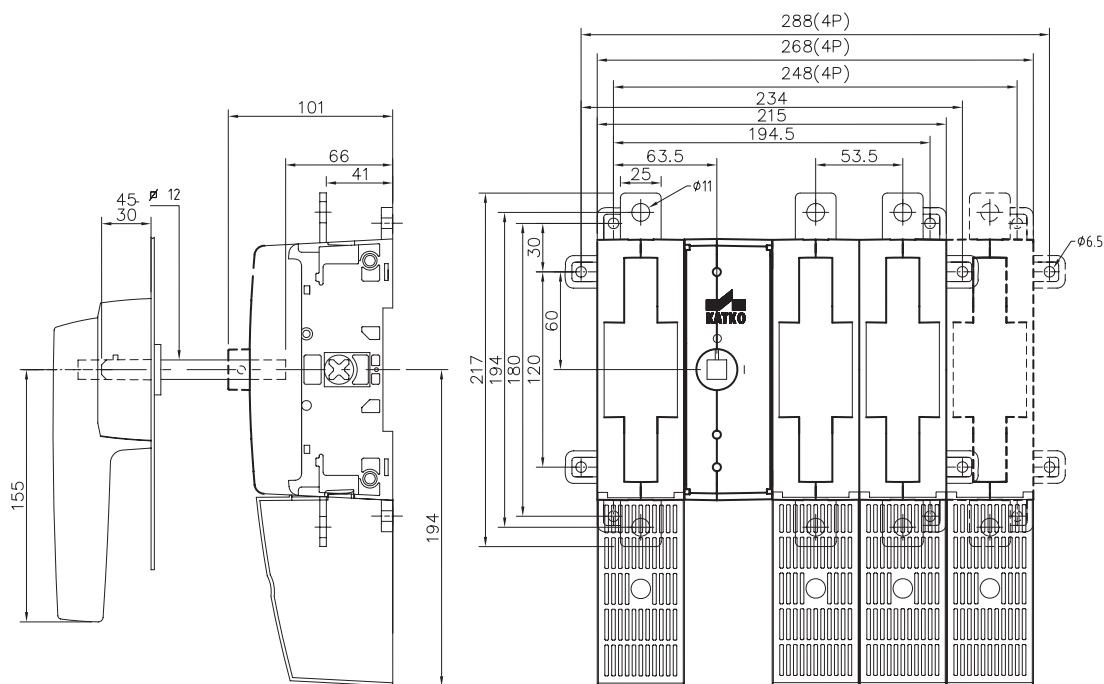
- Compact size saves space
- The modular structure enables the drive mechanism position to be varied
- Front operated
- Available as 1-, 2-, 3- and 4-pole
- Includes shaft L=220 and LK12 handle
- Available with terminal covers (LS)
- Easy to install auxiliary contacts



Type	400 V	400 V	AC-23	400 V	AC-23	690 V	EAN-Code	Weight
	AC-21	AC-22						
	I _e / A	I _e / A	I _e / A	P / kW	I _e / A	P / kW		
3-pole								
VKE 3125	160 A	125 A	125 A	55 kW	125 A	90 kW	6419410205006	1,6
VKE 3160	160 A	160 A	125 A	55 kW	125 A	90 kW	6419410205013	1,6
VKE 3125 NT	160 A	125 A	125 A	55 kW	125 A	90 kW	6419410285848	1,9
VKE 3160 NT	160 A	160 A	125 A	55 kW	125 A	90 kW	6419410285855	1,9
4-pole								
VKE 4125	160 A	125 A	125 A	55 kW	125 A	90 kW	6419410205020	1,9
VKE 4160	160 A	160 A	125 A	55 kW	125A	90 kW	6419410205037	1,9

LOAD BREAK SWITCHES 200-250 A VKE SERIES

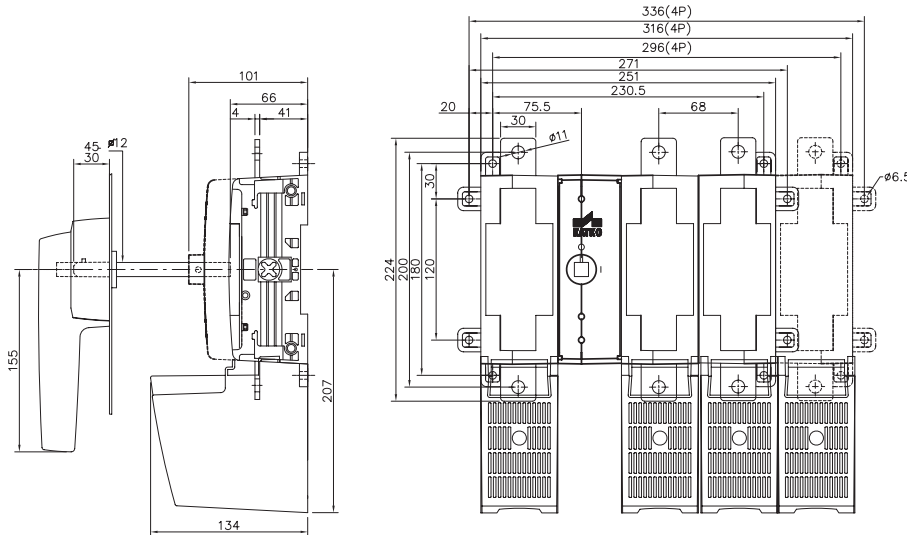
- Compact size saves space
- The modular structure enables the drive mechanism position to be varied
- Front operated
- Available as 1-, 2-, 3-, 4- and 6-pole
- Includes shaft LVK=228 and LK14 handle
- Available with terminal covers (LS)
- Easy to install auxiliary contacts



Type	400 V	400 V	AC-23	400 V	AC-23	EAN-Code	Weight kg	
	AC-21	AC-22		415 V	690 V			
	415 V	415 V		415 V				
	690 V	690 V						
	I_e / A	I_e / A	I_e / A	P / kW	I_e / A	P / kW		
3-pole								
VKE 3200	200 A	200 A	200 A	110 kW	200 A	160 kW	6419410280010	4,0
VKE 3250	250 A	250 A	250 A	132 kW	250 A	250 kW	6419410280119	4,0
VKE 3200 NT	200 A	200 A	200 A	110 kW	200 A	160 kW	6419410285862	4,6
VKE 3250 NT	250 A	250 A	250 A	132 kW	250 A	250 kW	6419410285879	4,6
4-pole								
VKE 4200	200 A	200 A	200 A	110 kW	200 A	160 kW	6419410280027	4,6
VKE 4250	250 A	250 A	250 A	132 kW	250 A	250 kW	6419410280126	4,6
6-pole								
VKE 6200	200 A	200 A	200 A	110 kW	200 A	160 kW	6419410280607	6,3
VKE 6250	250 A	250 A	250 A	132 kW	250 A	250 kW	6419410280652	6,3

LOAD BREAK SWITCHES 315-400 A VKE SERIES

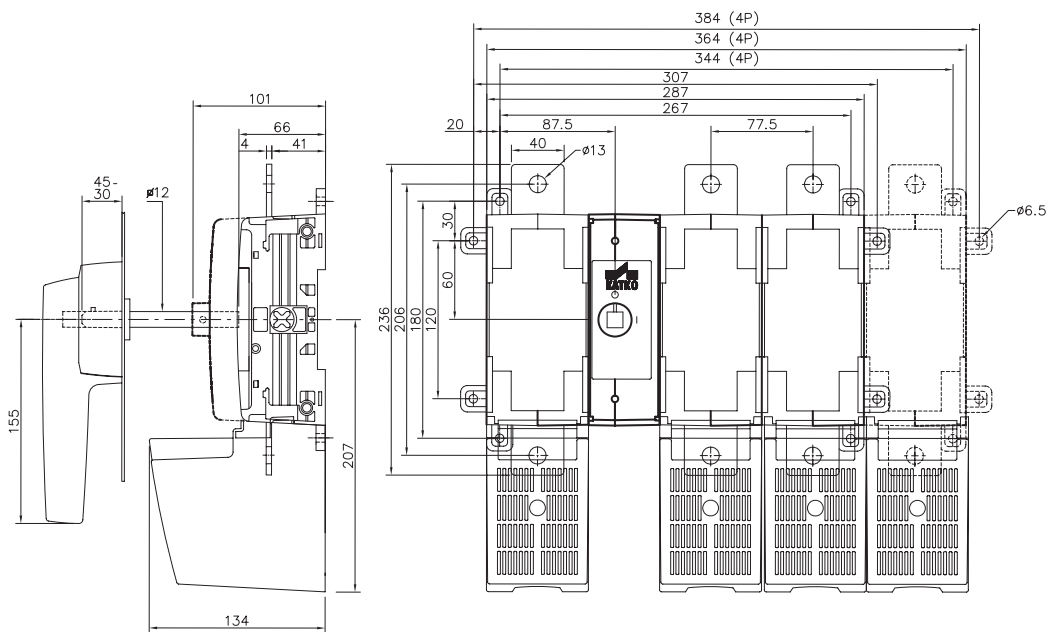
- Compact size saves space
- The modular structure enables the drive mechanism position to be varied
- Front operated
- Available as 1-, 2-, 3-, 4- and 6-pole
- Includes shaft LVK=228 and LK14 handle
- Available with terminal covers (LS)
- Easy to install auxiliary contacts



Type	400 V AC-21 415 V 690 V	400 V AC-22 415 V 690 V	AC-23	400 V 415 V	AC-23	690 V	EAN-Code	Weight kg
	I _e / A	I _e / A	I _e / A	P / kW	I _e / A	P / kW		
3-pole								
VKE 3315	315 A	315 A	315 A	160 kW	315 A	315 kW	6419410285886	4,6
VKE 3400	400 A	400 A	400 A	200 kW	400 A	355 kW	6419410280133	4,6
VKE 3315 NT	315 A	315 A	315 A	160 kW	315 A	315 kW	6419410285893	5,4
VKE 3400 NT	400 A	400 A	400 A	200 kW	400 A	355 kW	6419410285916	5,4
4-pole								
VKE 4315	315 A	315 A	315 A	160 kW	315 A	315 kW	6419410285909	5,4
VKE 4400	400 A	400 A	400 A	200 kW	400 A	355 kW	6419410280140	5,4
6-pole								
VKE 6315	315 A	315 A	315 A	160 kW	315 A	315 kW	6419410280706	7,2
VKE 6400	400 A	400 A	400 A	200 kW	400 A	355 kW	6419410280737	7,2

LOAD BREAK SWITCHES 630 A VKE SERIES

- Compact size saves space
- The modular structure enables the drive mechanism position to be varied
- Front operated
- Available as 1-, 2-, 3-, 4- and 6-pole
- Includes shaft LVK=228 and LK14 handle
- Available with terminal covers (LS)
- Easy to install auxiliary contacts



Type	400 V	400 V	AC-23	400 V	AC-23	EAN-Code	Weight kg
	AC-21	AC-22		415 V	690 V		
	I _e / A	I _e / A	I _e / A	P / kW	I _e / A	P / kW	
3-pole							
VKE 3630	630 A	630 A	630 A	355 kW	500 A	500 kW	6419410284858
VKE 3630 NT	630 A	630 A	630 A	355 kW	500 A	500 kW	6419410284865
4-pole							
VKE 4630	630 A	630 A	630 A	355 kW	500 A	500 kW	6419410280164
6-pole							
VKE 6630	630 A	630 A	630 A	355 kW	500 A	500 kW	6419410280751