

Nimbus 40

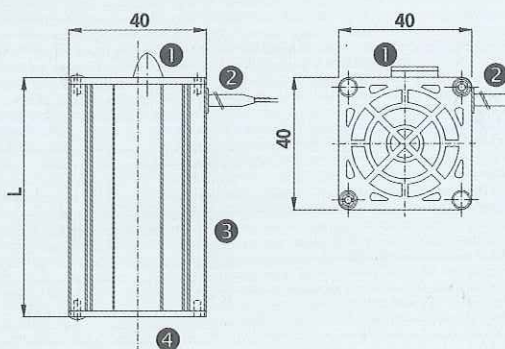


Nimbus		40/1
Nominal power at 20° C and 230V AC	Watt	10
Recommended pre-contact breaker T at 230V AC	A	2
Protection system	IP	20
Protection category		II
Mark of conformity		VDE,UL*
Connection line	mm	ca. 500
External profile temperature (max.)	°C	70
Dimensions	Cross section	mm 40 x 40
	Length "L"	mm 72
Total weight	kg	0.16

Special designs are possible on demand, e.g.: 12 x 24V

Special characteristics
 - Good convection
 - High thermal radiation
 - Small cross section
 - Spring clip

* = Projected



Model 40/1

- ① Spring clip for 35 mm Top hat rail DIN EN 50 022
- ② Connecting line
- ③ Aluminium profile
- ④ Cover plate

The informations given does not release the customer from independent application tests.