



Cirrus 25



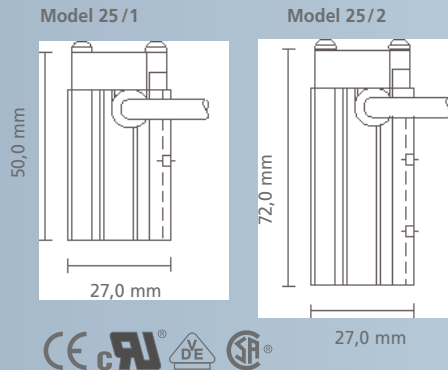
Cirrus 25	25 / 1				25 / 2			
	5 W	10 W	20 W	10 W	20 W	30 W	40 W	
Nominal Power Output at 10°C, 12 V or 230 V*	5 W	10 W	20 W	10 W	20 W	30 W	40 W	
Rated fan current (amps) at 12 V	0.04	0.04	0.04	0.04	0.04	0.04	0.04	
Recommended fuse at 12 V/24 V	4	4	4	4	4	4	6	
Time delay (Amps) at 115 / 230 V	n/a	n/a	n/a	n/a	2	2	2	
Fan volumetric flow at zero static pressure (m³/hr)	5.1	5.1	5.1	5.1	5.1	5.1	5.1	
Fan lifetime at 40°C, L 10 hours	120,000	120,000	120,000	120,000	120,000	120,000	120,000	
Fan operating temperature C°	-10 to +70	-10 to +70	-10 to +70	-10 to +70	-10 to +70	-10 to +70	-10 to +70	
Input Voltage (V) fan DC heater	12	24	12	24	12	24	12	24
	12	24	12	24	12	24	12	24
					n/a	n/a	n/a	n/a
						115/230	115/230	115/230
Dimensions (mm) cross section length of profile and fan	26 x 27	26 x 27	26 x 27	26 x 27	26 x 27	26 x 27	26 x 27	
	50	50	50	72	72	72	72	
Weight (kg)	0.06	0.06	0.06	0.09	0.09	0.09	0.09	
Protection Type	IP 20	IP 20	IP 20	IP 20	IP 20	IP 20	IP 20	
Cable length (mm)	600	600	600	600	600	600	600	
Outlet Finger Guard (High Voltage supply)	n/a	n/a	n/a	n/a	Y	Y	Y	
Outlet Finger Guard (Low Voltage supply)	Option	Option	Option	Option	Option	Option	Option	

When specifying 12V fan, select either ac or dc operation. For 24V fan operation ac or dc can be applied.* Other power outputs available on request.

Ordering Example:

Type	Size	Power	Fan input	AC / DC	Heater Voltage	Finger guard outlet	DIN clip
	1 / 2		12 / 24			1 / 0	1 / 0
C25	2	30 W	12 V	DC	24 V	0	1

Order Code Example: C25 / 2 – 30 W – 12V – DC – 24 V – 0 – 1



- Features:**
- High power to size ratio
 - Lightweight
 - Easy to fit
 - pre-wired
 - Independent fan circuit to aid climate cooling
- Options:**
- Finger guard at outlet
 - Smartcon®- Cable to allow AC fan supply and/or 24V fan supply
 - Fixings - 35mm DIN Rail clip (EN50022)

DBK David+Baader GmbH

Components

Rheinstrasse 72 - 74
D - 76870 Kandel

Phone: + 49 (0) 72 75 7 03 - 231
Fax: + 49 (0) 72 75 7 03 - 249

info@dbk-group.de
www.dbk-components.com